

Product Technical Data Sheet

Roof-Lok Cyclone Plate

Part Number	Description
5-691-3012-2C4	Roof-Lok Cyclone Plate

Application:

Buildex® Roof-Lok® Cyclone Plates are used with Hex Washer Type 17, Cyclonic RoofZips® and Teks® for crest fixing metal cladding in cyclonic and high wind areas.

Recommended for:

Crest fixing Square Rib and Corrugated roofing profiles to timber, purlins and steel battens.

Refer to the specific fastener and Roof-Lok® washer assembly data sheets for the particular sheet profile to host material application details.

This product is not recommended for valley fixing sheet profile.

Material:

Cyclone Plate: Coated steel

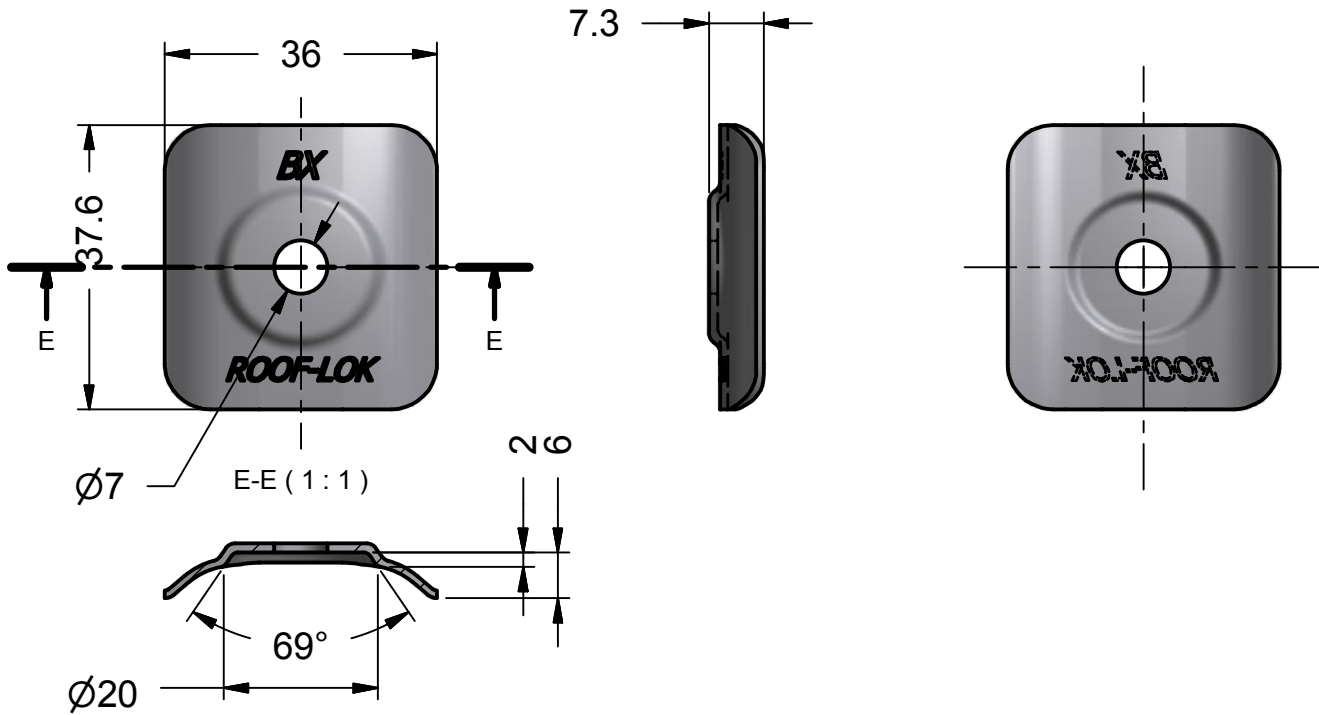
Sealing Washers: Non Conductive EPDM. Refer Product Data Sheet 98004-PDS for Sealing Washer details

Corrosion Performance:

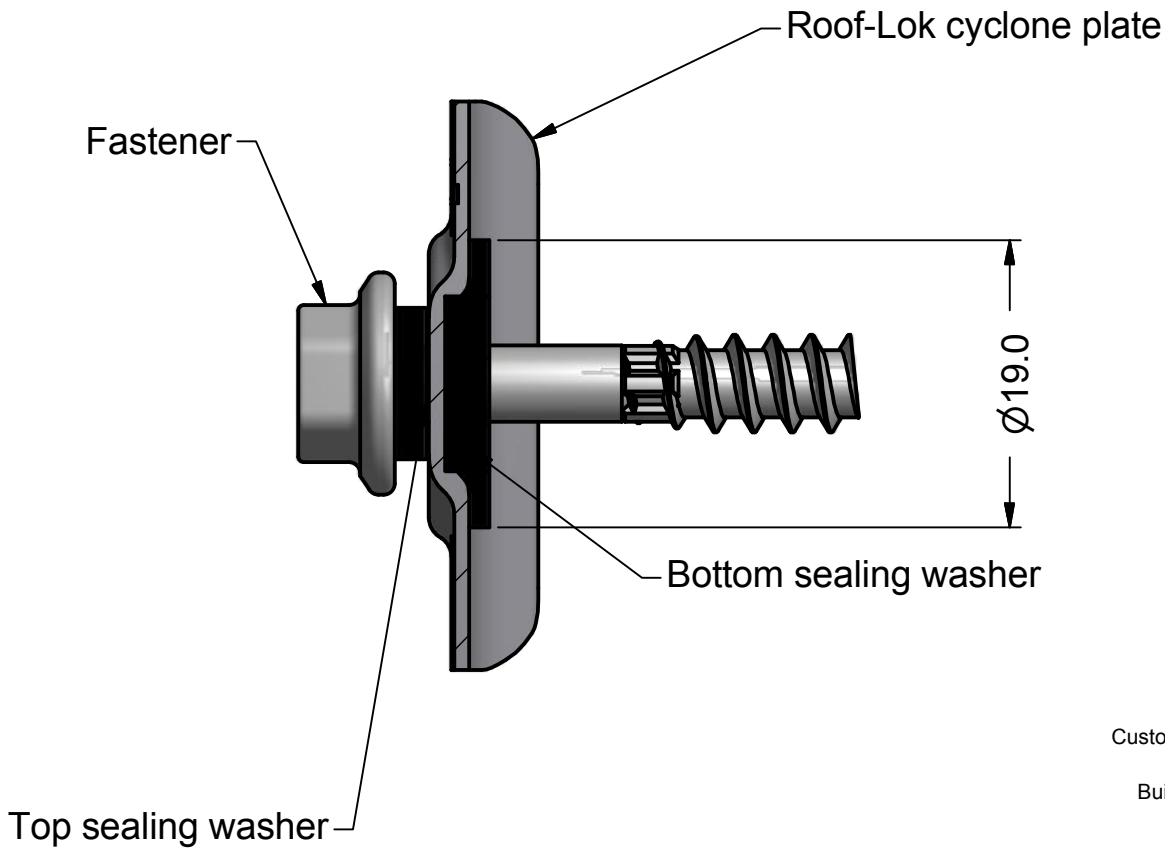
The corrosion performance of plate matches screw assembly. Available in Climaseal 4 and Climaseal 5 assemblies.

Product Technical Data Sheet

Roof-Lok Cyclone Plate



All dimensions nominal (mm) unless otherwise stated. Normal manufacturing tolerances apply.



Buildex® Head Office
600 South Road
Moorabbin Victoria 3189
Australia
1300 368 101
CustomerService-MBN@buildex.com.au

Buildex® Middle Eastern Sales Office
middleeastsales@buildex.com.au

Technical Help Desk
Technicalhelpdesk@buildex.com.au