

Product Technical Data Sheet

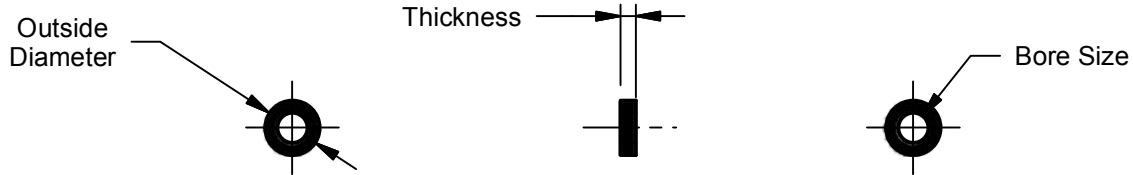
Sealing Washers, Cyclone Plates, WeatherLok 2, Multiseal and ABW

Part Number	Description
6-989-0001-6	Black 8g EDPM Sealing Washer
6-989-0030-1	Black 12g EDPM Sealing Washer
6-989-0031-2	Black 14g EDPM Sealing Washer
6-989-0032-8	Black 10g EDPM Sealing Washer
6-989-0053-3	Black EDPM 19 mm Bottom Cyclone Plate Washer

Application:

Buildex® EPDM Sealing Washers are used with Hex Head Type 17, RoofZips®, CyclonicZips® and Teks® Screws and are designed for fixing roof sheet or side cladding where a waterproof seal is required.

Material: Non Conductive EPDM



Part Number	Description	Thickness	Outside Diameter	Bore Size
6-989-0001-6	Black 8g EDPM Sealing Washer	1.7 / 2.3	7.0 / 7.8	3.7 / 4.1
6-989-0030-1	Black 12g EDPM Sealing Washer	2.6 / 3.3	10.0 / 11.0	4.7 / 5.1
6-989-0031-2	Black 14g EDPM Sealing Washer	2.6 / 3.3	10.0 / 10.5	5.4 / 5.8
6-989-0032-8	Black 10g EDPM Sealing Washer	1.7 / 2.4	8.0 / 9.0	4.0 / 4.4
6-989-0053-3	Black EDPM 19 mm Bottom Cyclone Plate Washer	2.6 / 3.3	18.5 / 19.5	5.6 / 6.0

All dimensions nominal unless otherwise stated. Normal manufacturing tolerances apply. All dimensions in millimeters. Third Angle Projection. Scale: Full Size

Product Technical Data Sheet

Sealing Washers, Cyclone Plates, WeatherLok 2, Multiseal and ABW

Part Number	Description
5-691-5012-2C5	Roof-Lok Cyclone Plate Climaseal 5

Application:

Buildex® Roof-Lok® Cyclone Plates are used with Hex Washer Type 17, Cyclonic RoofZips® and Teks® for crest fixing metal cladding in cyclonic and high wind areas.

Recommended for:

Crest fixing Square Rib and Corrugated roofing profiles to timber, purlins and steel battens.

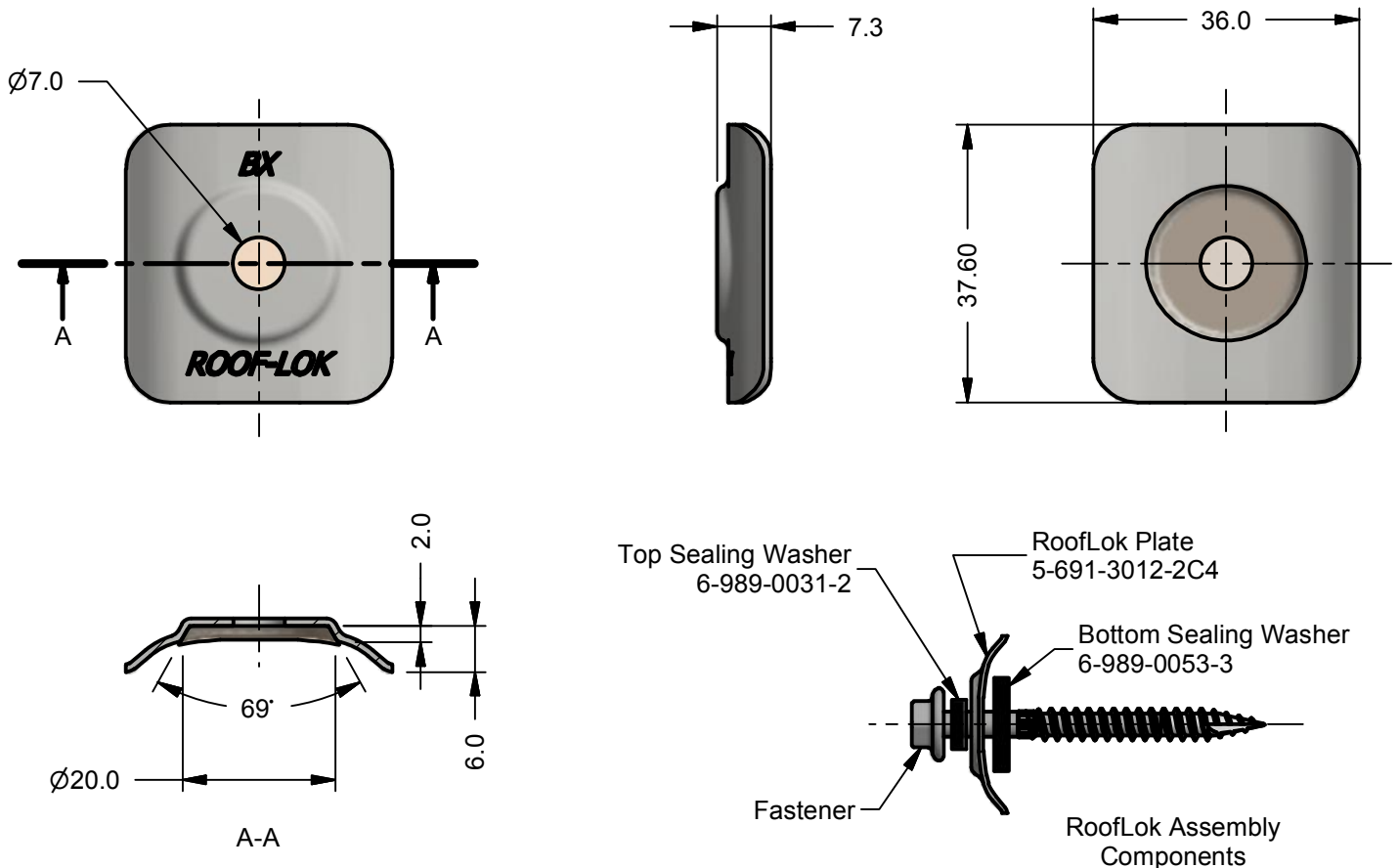
Refer to the specific fastener and Roof-Lok® washer assembly data sheets for the particular sheet profile to host material application details.

This product is not recommended for valley fixing sheet profile.

Material: Zincalume steel G300 Coating Class AZ150 | **Finish:** Climaseal 5®

Corrosion Performance:

The Climaseal® 5 product is suitable for ISO 9223-2012 Category 4 and 5



All dimensions nominal unless otherwise stated. Normal manufacturing tolerances apply. All dimensions in millimeters. Third Angle Projection. Scale: Full Size

Product Technical Data Sheet

Sealing Washers, Cyclone Plates, WeatherLok 2, Multiseal and ABW

Part Number	Description
5-691-0004-0C4	Hi-Rib Cyclone Plate Climaseal 4

Application:

Buildex® Hi-Rib® Cyclone Plates are used with Hex Head Type 17, Cyclonic RoofZips® and Teks® in conjunction with Hi-Rib sheet profiles in cyclonic and high wind areas.

Recommended for:

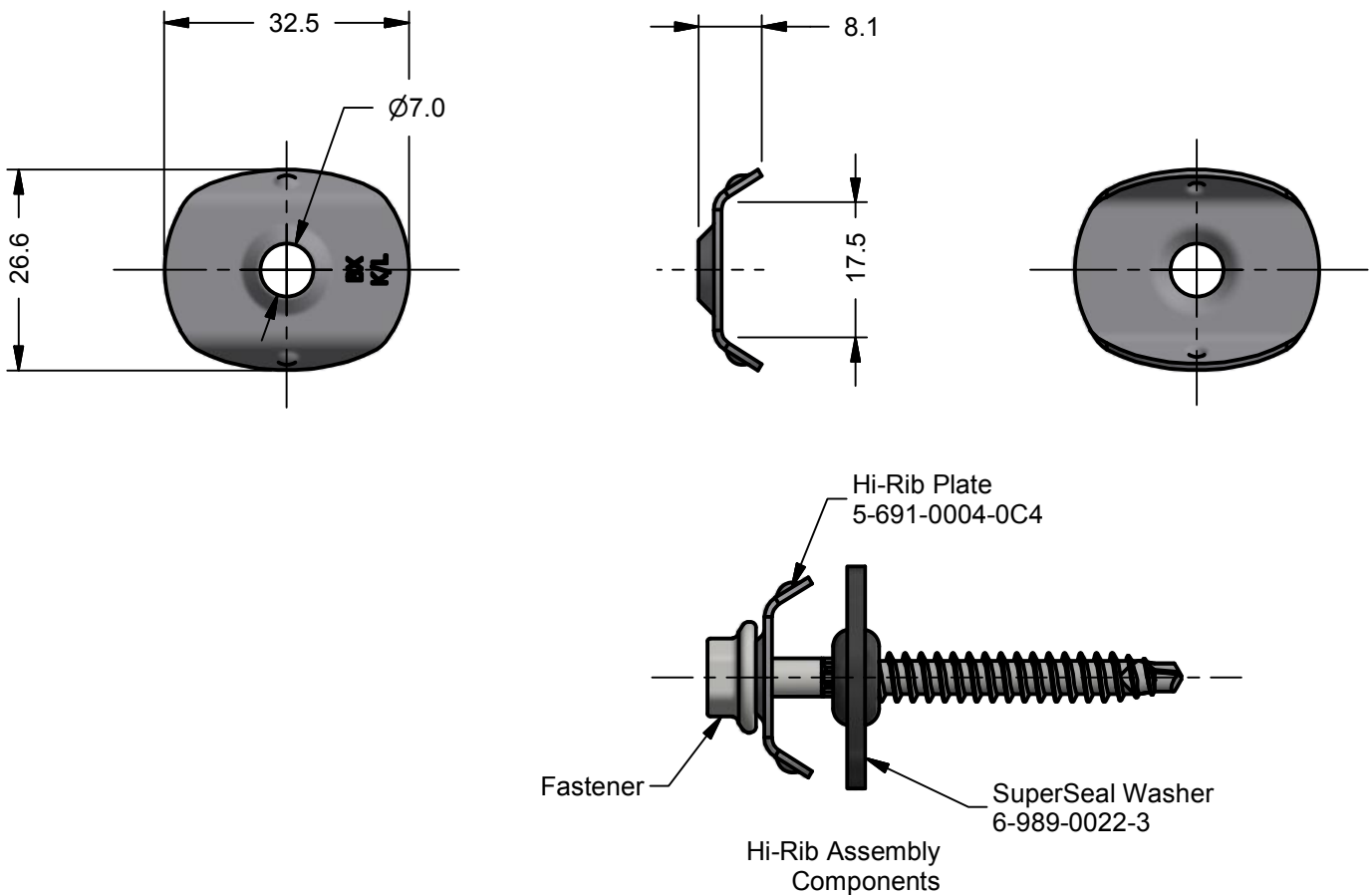
Crest fixing of Hi-Rib roofing profiles to timber, purlins and steel battens.

This product is not recommended for valley fixing sheet profile.

Material: Zincalume steel G300 Coating Class AZ150 | **Finish:** Climaseal 4®

Corrosion Performance:

Climaseal 4® Screws are suitable for ISO 9223-2012 Category 3 and 4



All dimensions nominal unless otherwise stated. Normal manufacturing tolerances apply. All dimensions in millimeters. Third Angle Projection. Scale: Full Size

Product Technical Data Sheet

Sealing Washers, Cyclone Plates, WeatherLok 2, Multiseal and ABW

Part Number	Description
8-696-0023-3	WeatherLok 2

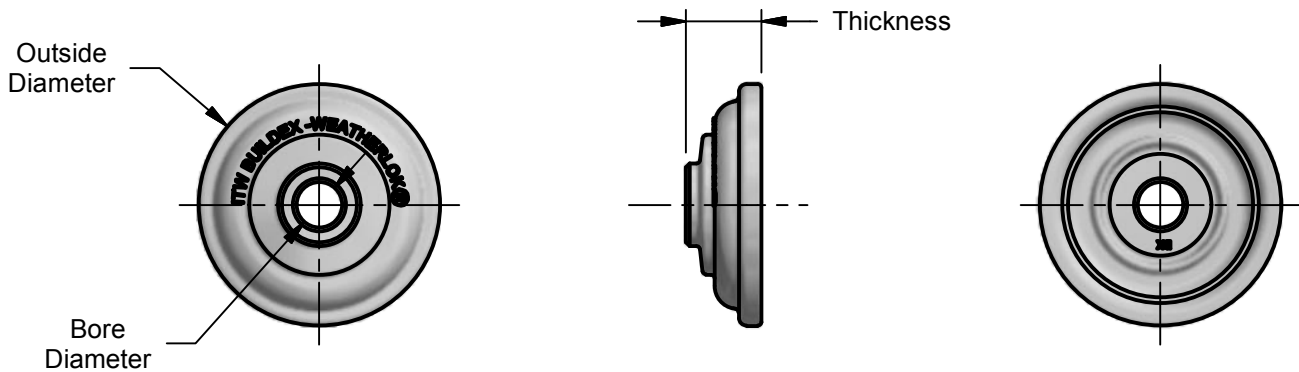
Application:

Buildex® Weatherlok® Washers are used with Hex Head Fibreglass Teks®, Type 17, Cyclonic RoofZips®, PolyZips® and Teks® screws.

Recommended for:

Crest Fixing Fibreglass Sheet to timber, purlins and steel battens.

Material: UV Resistant Elastomer



Part Number	Description	Thickness	Outside Diameter	Bore Size
8-696-0023-3	WeatherLok 2	10.0	32.0	6.0

All dimensions nominal unless otherwise stated. Normal manufacturing tolerances apply. All dimensions in millimeters. Third Angle Projection. Scale: Full Size

Product Technical Data Sheet

Sealing Washers, Cyclone Plates, WeatherLok 2, Multiseal and ABW

Part Number	Description
6-980-0036-6	Multi-Seal Washer

Application:

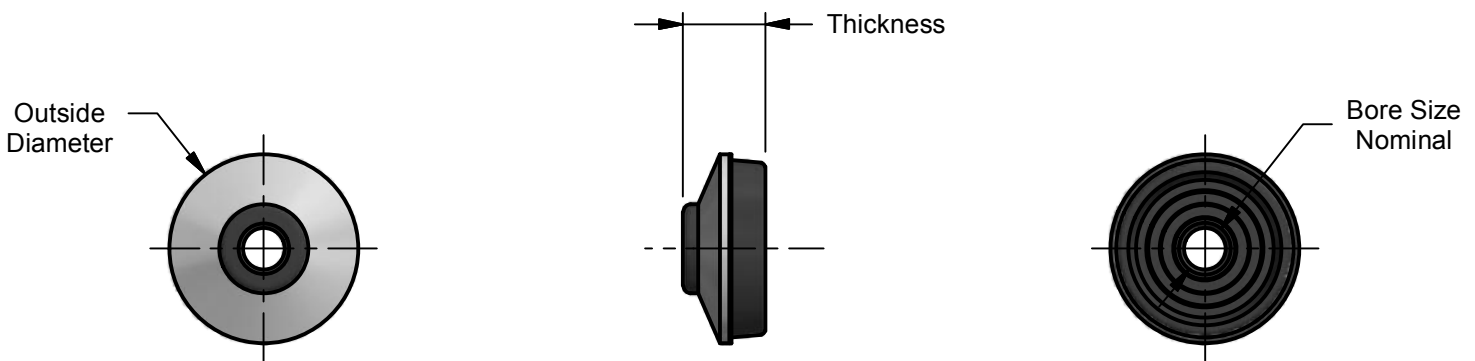
Buildex® Aluminium MultiSeal® Washers are used with Hex Head Type 17, Cyclonic RoofZips® and Teks®

Recommended for:

Fixing Ridge Cap Roof Profile to timber, purlins and steel battens.

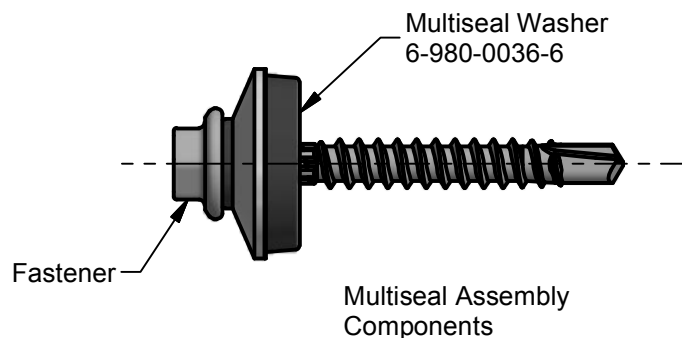
Crest fixing Corrugated and Squarerib roofing profiles to timber, purlins and steel battens.

Material: Aluminium Alloy 3003-H18 and Non Conductive EPDM



Part Number	Description	Thickness	Outside Diameter	Bore Size
6-980-0036-6	Multi-Seal Washer	10.9	25.0 Max.	5.5

All dimensions nominal unless otherwise stated. Normal manufacturing tolerances apply. All dimensions in millimeters. Third Angle Projection. Scale: Full Size



Product Technical Data Sheet

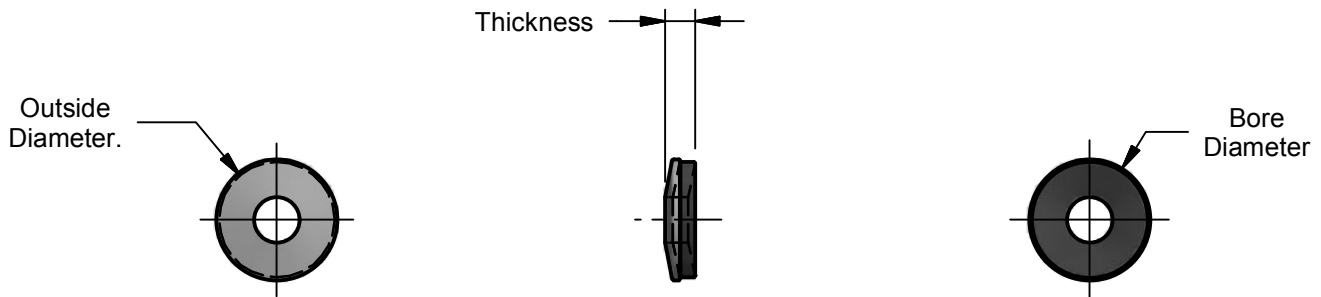
Sealing Washers, Cyclone Plates, WeatherLok 2, Multiseal and ABW

Part Number	Description
6-980-0005-1	12g / 14g 16 mm Aluminium Bonded Washer

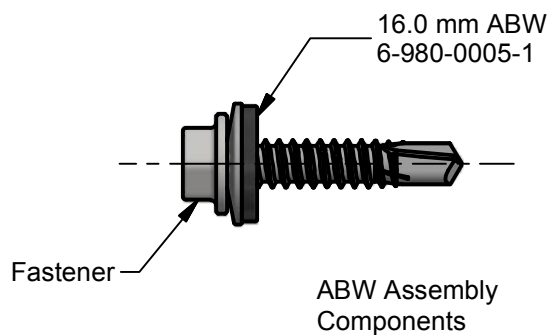
Application:

Buildex® Aluminium Bonded Washers (ABW) are used with Stainless Steel 14-10 Hex Head Type 17, 14-11 Stainless Steel Hex Head RoofZips® and Stainless Steel 14-14 Hex Head Tek® Screws and are designed for fixing roof sheet or side cladding where a waterproof seal is required.

Material: Aluminium Alloy 5251- H24 and Non Conductive EPDM



Part Number	Description	Thickness	Outside Diameter	Bore Size
6-980-0005-1	12g / 14g 16 mm Aluminium Bonded Washer	4.2 / 4.7	15.8 / 16.2	4.1 / 4.6



All dimensions nominal unless otherwise stated. Normal manufacturing tolerances apply.

All dimensions in millimeters. Third Angle Projection. Scale: Full Size

Buildex® Head Office
 600 South Road
 Moorabbin Victoria 3189
 Australia
 1300 368 101
 CustomerService-MBN@buildex.com.au
 Technical Help Desk
 Technicalhelpdesk@buildex.com.au