

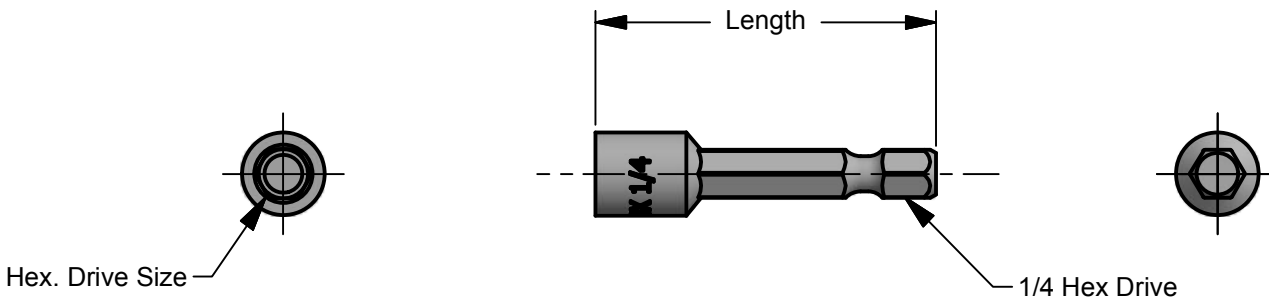
Product Technical Data Sheet

Driver Bits and Hex Sockets

Part Number	Description	Pack Qty	Shipper Qty
1-991-0887-7	1/4 x 45 Hexagon Socket	5	120
1-991-0890-1	3/8 x 65 Hexagon Socket	2	120
1-991-0888-8	5/16 x 45 Hexagon Socket	2	120
1-991-0889-9	5/16 x 65 Hexagon Socket	2	120

Application:

Buildex® Hex Sockets are used to install Hex Head Screws. The 1/4 drive suits all common Drills and Impact and Non-Impact Driver Tools.



Part Number	Description	Hex Drive Size	Length
1-991-0887-7	1/4 x 45 Hexagon Socket	1/4 Inch	45 mm
1-991-0890-1	3/8 x 65 Hexagon Socket	3/8 Inch	65 mm
1-991-0888-8	5/16 x 45 Hexagon Socket	5/16 Inch	45 mm
1-991-0889-9	5/16 x 65 Hexagon Socket	5/16 Inch	65 mm

Material: Carbon Steel AISI S1 | **Heat Treatment:** Harden and Temper | **Finish:** Natural

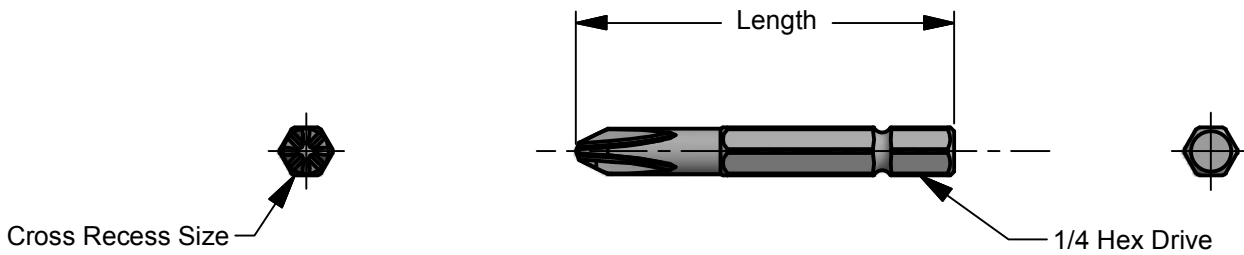
Product Technical Data Sheet

Driver Bits and Hex Sockets

Part Number	Description	Pack Qty	Shipper Qty
1-991-0882-2	Number 2 Phillips 50 mm Driver	5	120
1-991-0885-5	Number 2 Phillips 150 mm Driver	5	120
1-991-0883-3	Number 3 Phillips 50 mm Driver	5	120

Application:

Buildex® Phillips Cross Recess Driver Bits are used to install Cross Recess Screws such as Wafer Heads, Flat Csk Heads and Pan Heads. The 1/4 drive suits all common Drills and Impact and Non-Impact Driver Tools.



Part Number	Description	Cross Recess Size	Length
1-991-0882-2	Number 2 Phillips 50 mm Driver	Number 2 Phillips	49.0 / 51.0
1-991-0885-5	Number 2 Phillips 150 mm Driver	Number 2 Phillips	149.0 / 151.0
1-991-0883-3	Number 3 Phillips 50 mm Driver	Number 3 Phillips	49.0 / 51.0

Material: Carbon Steel AISI S1 | **Heat Treatment:** Harden and Temper | **Finish:** Natural

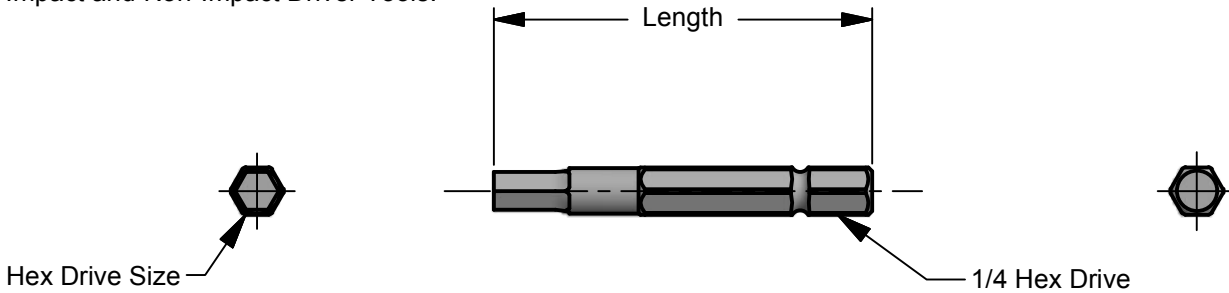
Product Technical Data Sheet

Driver Bits and Hex Sockets

Part Number	Description	Pack Qty	Shipper Qty
1-991-0881-1	5 mm Hex Magnetic Driver Bit 50mm Long	5	120

Application:

Buildex® 5mm Hex Driver Bits are used to install 14g Bugle Head Screws. The 1/4 drive suits all common Drills and Impact and Non-Impact Driver Tools.



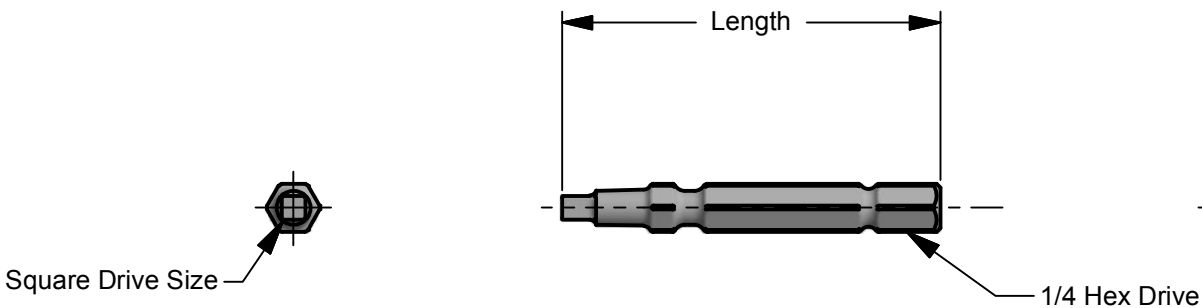
Part Number	Description	Hex Drive Size	Length
1-991-0881-1	5 mm Hex Magnetic Driver Bit 50mm Long	5 mm	49.0 / 51.0

Material: Carbon Steel AISI S1 | **Heat Treatment:** Harden and Temper | **Finish:** Natural

Application:

Buildex® Square Drive Driver Bits are used to install Dec-King Screws. The 1/4 drive suits all common Drills and Impact and Non-Impact Driver Tools.

Part Number	Description	Pack Qty	Shipper Qty
1-991-0891-1	Number 2 Square Magnetic Driver Bit 50mm Long	5	120



Part Number	Description	Square Drive Size	Length
1-991-0891-1	Number 2 Square Magnetic Driver Bit 50mm Long	Number 2 Square	49.0 / 51.0

Material: Carbon Steel AISI S1 | **Heat Treatment:** Harden and Temper | **Finish:** Natural