

Product Technical Data Sheet

How to Measure Product Length, Runout Length, Grip Length and Effective Length



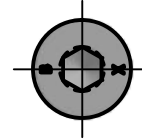
Hex Head



Wafer Head



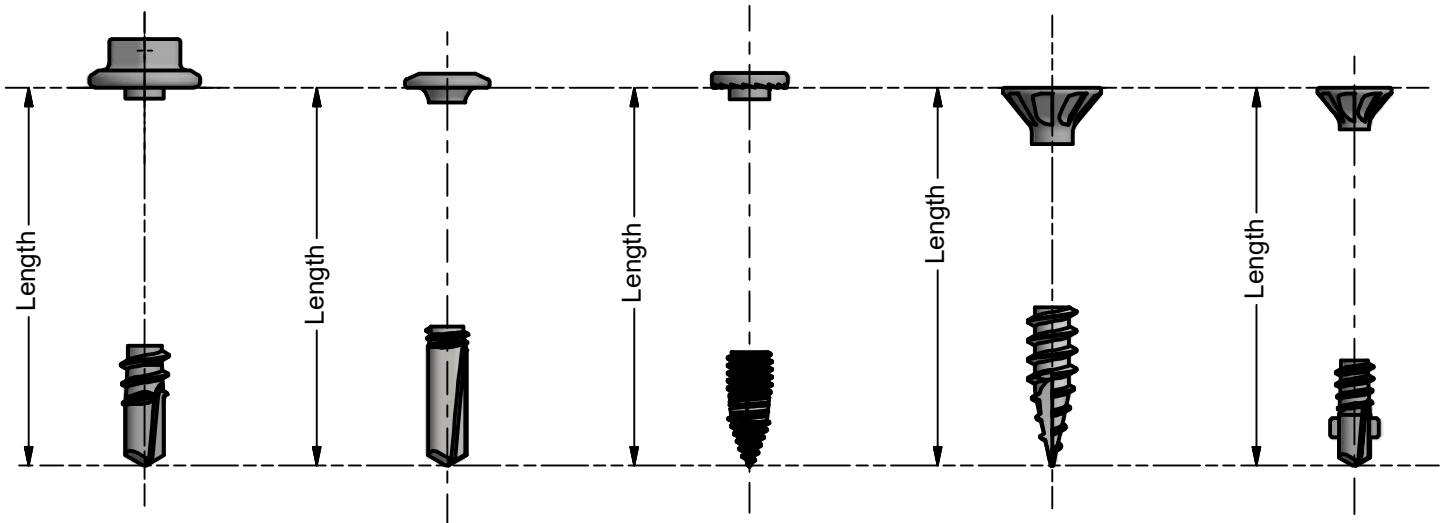
Smooth Top Head



Bugle Head



Flat Csk Head

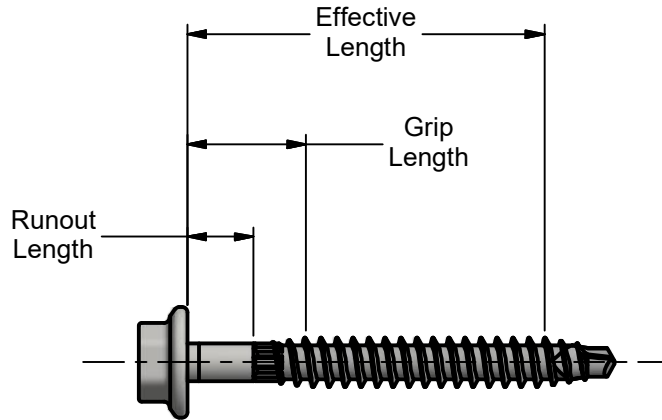


Notes

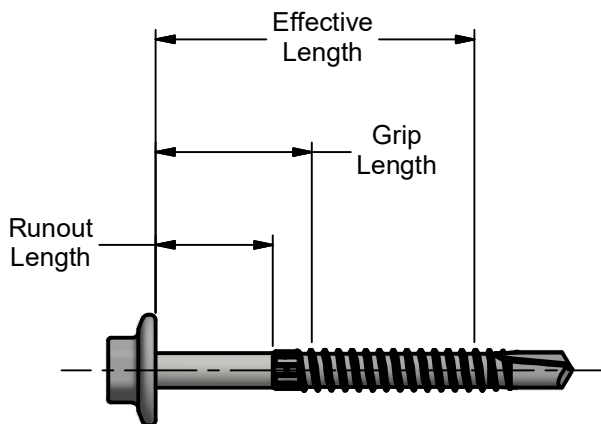
1. With Hex Heads, Wafer or Smooth Top Heads the product length is measured from underneath the head.
2. With Bugle, Flat Csk with Ribs Heads or Dec-king the product length is measured over the top of the head.

Product Technical Data Sheet

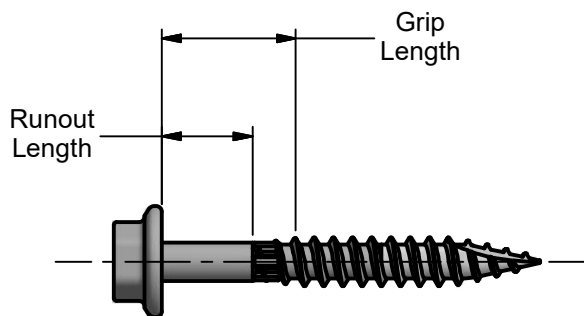
How to Measure Product Length, Runout Length, Grip Length and Effective Length



The Runout Length is the distance from the head to where the thread or the Shank Guard starts.



The Effective Length is the distance from the head to furthest distance that thread diameter is within the Major diameter limits.

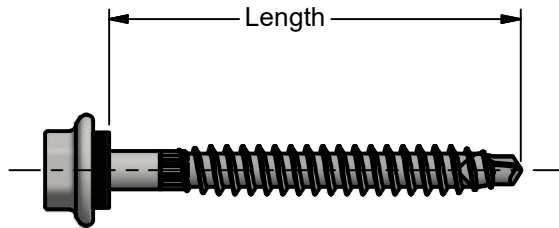


The Grip Length is the distance from the head to where the thread diameter is within the Major diameter limits.

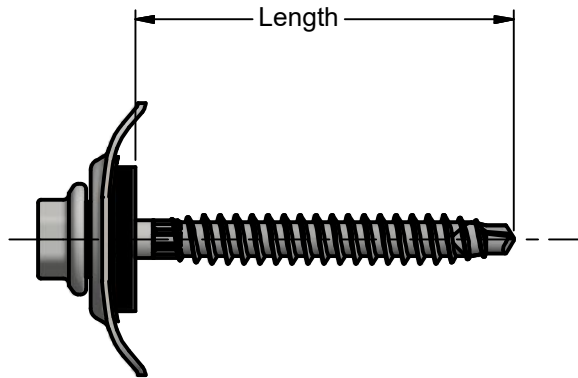
Type 17 or Needle Point Screws do not have an Effective Length as they are embedded into the timber.

Product Technical Data Sheet

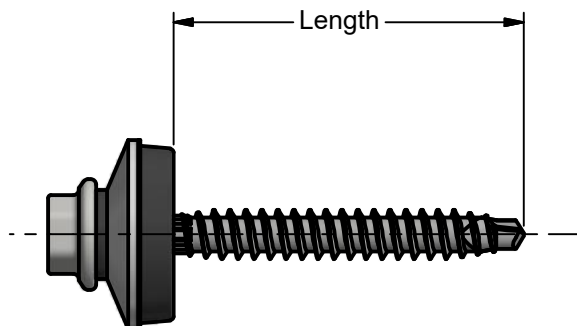
How to Measure Product Length, Runout Length, Grip Length and Effective Length



Hex Head Product with Seal



Hex Head Product with Roof-Lok Plate



Hex Head Product with MultiSeal

Note

Products assembled with a Sealing Washer, a Roof-Lok Cyclone Plate or a MultiSeal Washer are measure from the underside face washer.