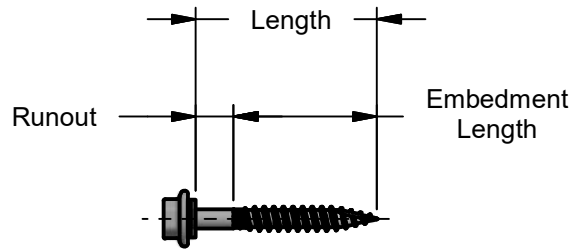
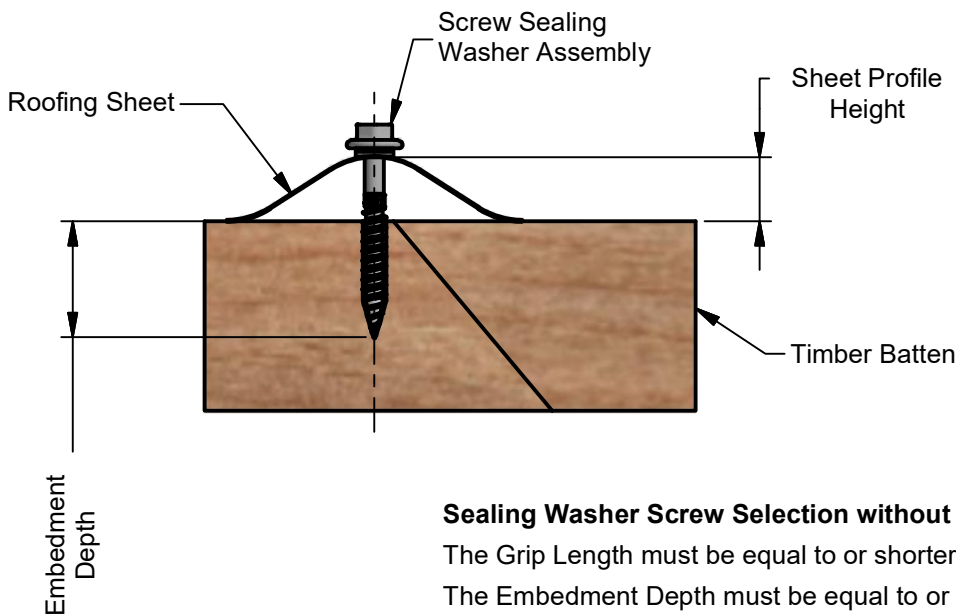


Product Technical Data Sheet

How to Calculate Product Suitability

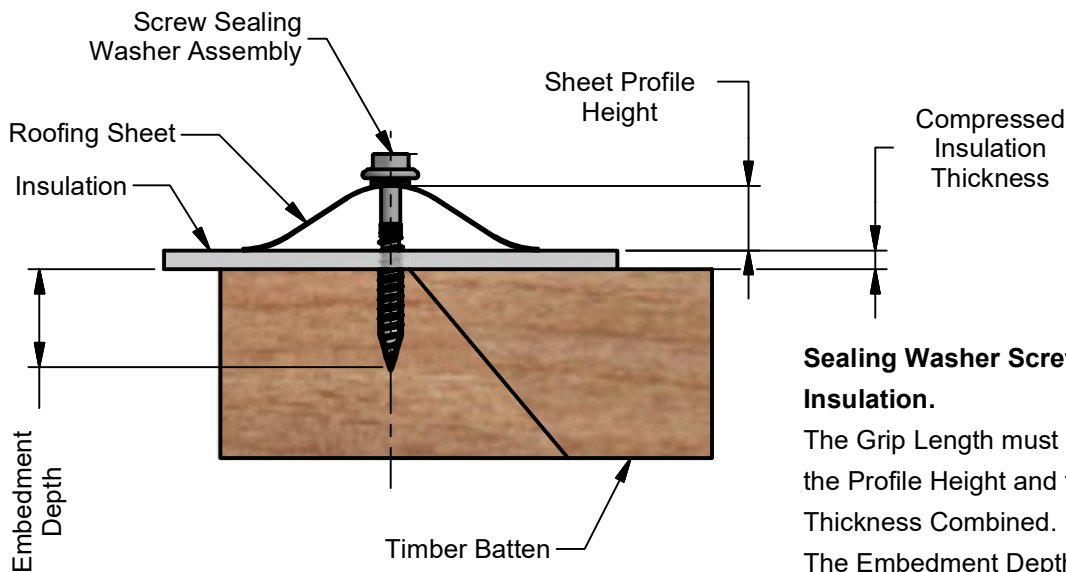


Length Description



Sealing Washer Screw Selection without Insulation.

The Grip Length must be equal to or shorter than the Profile Height.
The Embedment Depth must be equal to or longer than 35.0 mm.

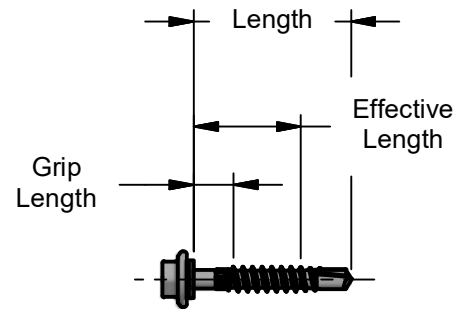
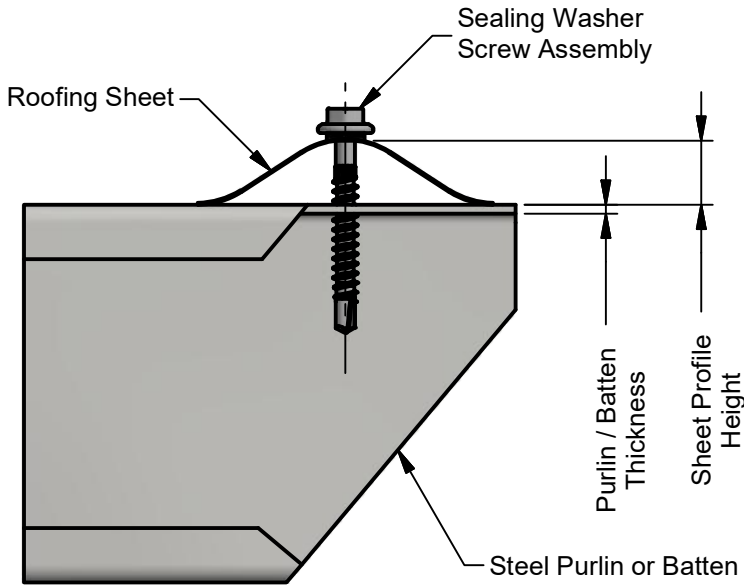


Sealing Washer Screw Selection with Insulation.

The Grip Length must be equal to or shorter than the Profile Height and the Compressed Insulation Thickness Combined.
The Embedment Depth must be equal to or longer than 35.0 mm.

Product Technical Data Sheet

How to Calculate Product Suitability

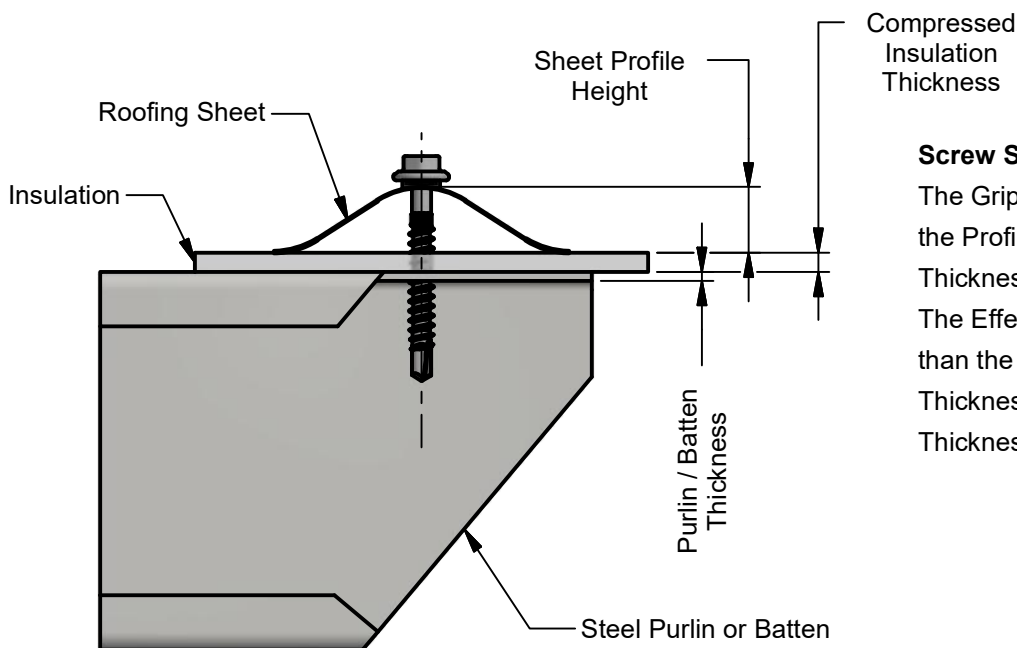


Length Descriptions

Screw Selection without Insulation.

The Grip Length must be equal to or shorter than the Profile Height.

The Effective Length must be equal to or longer than the Profile Height and the Purlin / Batten Thickness combined.



Screw Selection with Insulation.

The Grip Length must be equal to or shorter than the Profile Height and the Compressed Insulation Thickness Combined.

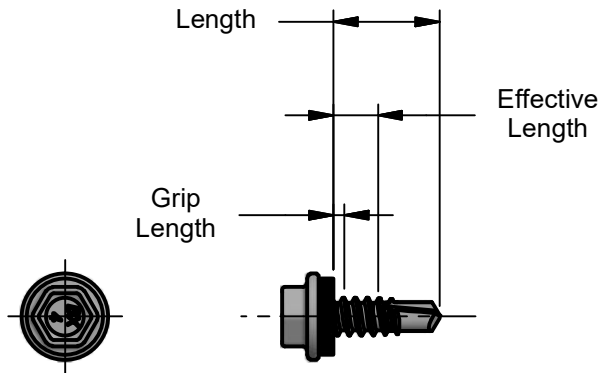
The Effective Length must be equal to or longer than the Profile Height, the Purlin / Batten Thickness and the Compressed Insulation Thickness combined.

BuildexA Head Office
600 South Road
Moorabbin Victoria 3189
Australia
1300 368 101

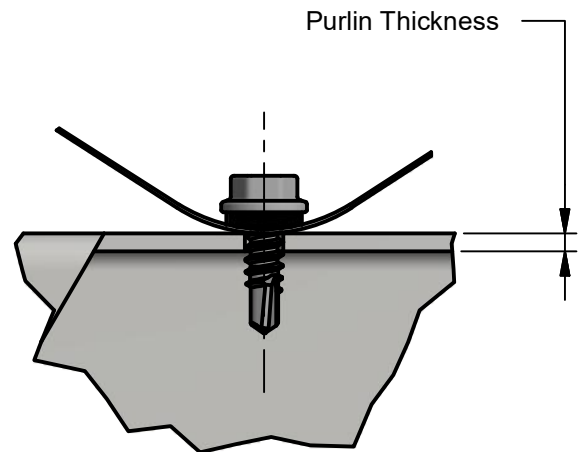
CustomerService-MBN@buildex.com.au
Technical Help Desk
Technicalhelpdesk@buildex.com.au

Product Technical Data Sheet

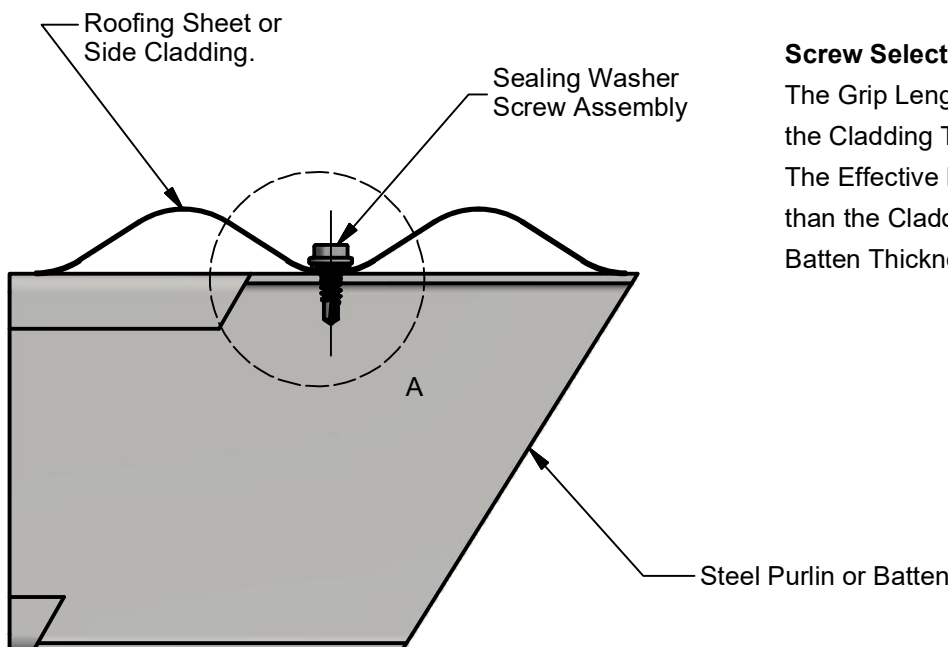
How to Calculate Product Suitability



Length Descriptions



A (1 : 1)



Valley Fixing

Screw Selection

The Grip Length must be equal to or shorter than the Cladding Thickness.

The Effective Length must be equal to or longer than the Cladding Thickness and the Purlin / Batten Thickness combined.

BuildexA Head Office
 600 South Road
 Moorabbin Victoria 3189
 Australia
 1300 368 101
 CustomerService-MBN@buildex.com.au
 Technical Help Desk
 Technicalhelpdesk@buildex.com.au