

Product Technical Data Sheet

14-10 Hex Head Full Thread Type 17

Part Number	Description	Pack Qty	Pallet Qty
6-031-3007-4C4	14-10 x 25 Hex Head T17 Climaseal 4	500 / 1500	108,000
6-030-3003-9C4	14-10 x 25 Hex Head T17 with Seal Climaseal 4	500 / 1500	108,000
6-031-3273-1C4	14-10 x 39 Hex Head T17 Climaseal 4	1000	105,000

Application:

Buildex® 14-10 Hex Head fully threaded T17® are designed for valley fixing cladding to timber and thin metal top hat battens.

Features	Benefits
Hex Drive	For positive drive under high installation torque.
T17 Point	For easy installation into timber while ensuring maximum pullout strength and high strip torque.
Finish	Corrosion performance of Climaseal 4 to suit the application.
Colormatch	The 14-10 Type 17 can be painted to match Colorbond sheeting products.

Installation Instructions:

1. Use a 3/8" Hex Socket.
2. Use a mains powered or cordless screw driver with a drive speed of 3,000 RPM maximum.
3. Fit the driver bit into the screw and place at the fastening position.
4. Apply consistently firm pressure (end load) to the screw driver until the screw has fastened.

Drilling and Installing Capacity:

Buildex suggests a minimum embedment depth of 25mm for roofing screws being installed into timber, however the actual fastener selected needs to match the cladding supplier's fastening recommendations.

Mechanical Properties:

Single Shear Strength (Newton) 10,900 | Axial Tensile (Newton) 19,700 | Torsion Strength 18.5 Newton-metre

Pullout Values (Newton):

F7 (Pine) Timber, 25 mm embedment: 2,729 | F17 (Hardwood) Timber 25 mm embedment: 4,186

All values are averages obtained under laboratory conditions and appropriate safety factors should be applied for design purposes. These figures are applicable to Buildex® head marked product only.

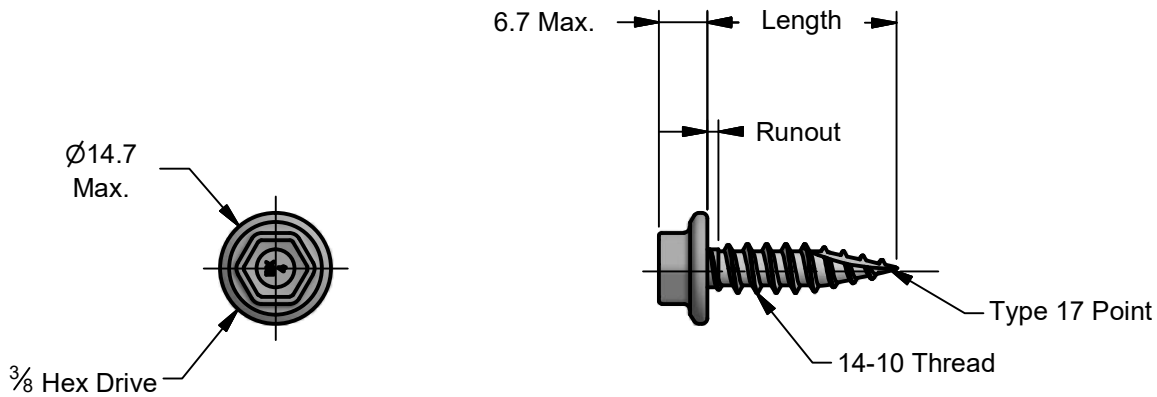
Material: Carbon Steel SAE 1022 | **Heat Treatment:** To AS 3566.1 | **Finish:** Climaseal 4®

Corrosion Performance:

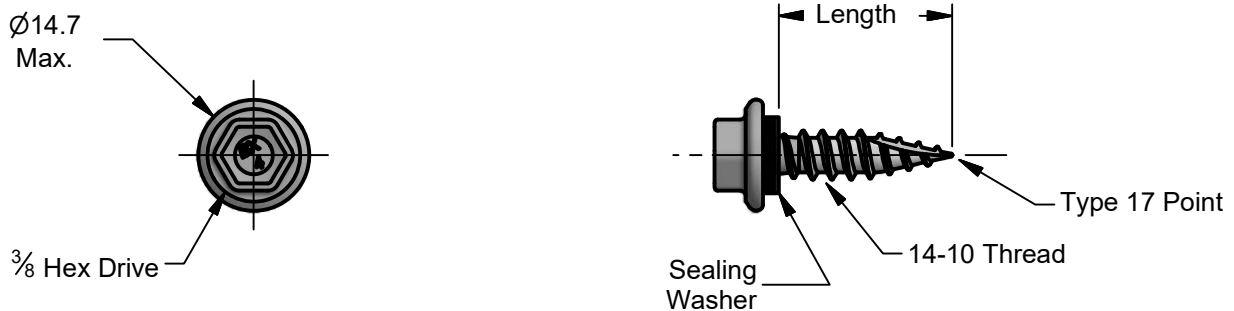
Climaseal 4 Fasteners are suitable for use in Category 4 and 3 corrosive environments as described in ISO 9223-2012 and AS4312-2008

Product Technical Data Sheet

14-10 Hex Head Full Thread Type 17



Part Number	Description	Length	Runout
6-031-3007-4C4	14-10 x 25 Hex Head T17 Climaseal 4	23.5 / 25.0	1.7 max.
6-031-3273-1C4	14-10 x 39 Hex Head T17 Climaseal 4	38.5 / 40.0	3.0 Max.



Note

Lengths from underside of sealing washer and includes compression.

Part Number	Description	Length
6-030-3003-9C4	14-10 x 25 Hex Head T17 with Seal Climaseal 4	23.0 / 24.5

All dimensions nominal unless otherwise stated. Normal manufacturing tolerances apply. All dimensions in millimeters. Third Angle Projection. Scale: Full Size.

Buildex® Head Office
600 South Road
Moorabbin Victoria 3189
Australia

1300 368 101
CustomerService-MBN@buildex.com.au

Technical Help Desk
Technicalhelpdesk@buildex.com.au