

Product Technical Data Sheet

10-16 Hex Head Ripple Zips Climaseal 4

Part Number	Description	Pack Qty	Pallet Qty
6-031-3341-1C4	10-16 x 25 Hex Head Ripple Zips Climaseal 4	1000 / 4000	288,000

Application:

Buildex® 10-16 x 25 Hex Ripple Zips CLimaseal 4 are designed for fixing mini orb or corrugated cladding to buildings, sheds and fencing. The unique design of the 1/4" hex head with contoured under head profile provides an aesthetically pleasing appearance whilst also matching the valley design of the sheeting ensuring a positive seal without the need for a washer.

The 10-16 Hex Ripple Zips can be used in many applications where mini orb or corrugated is used.

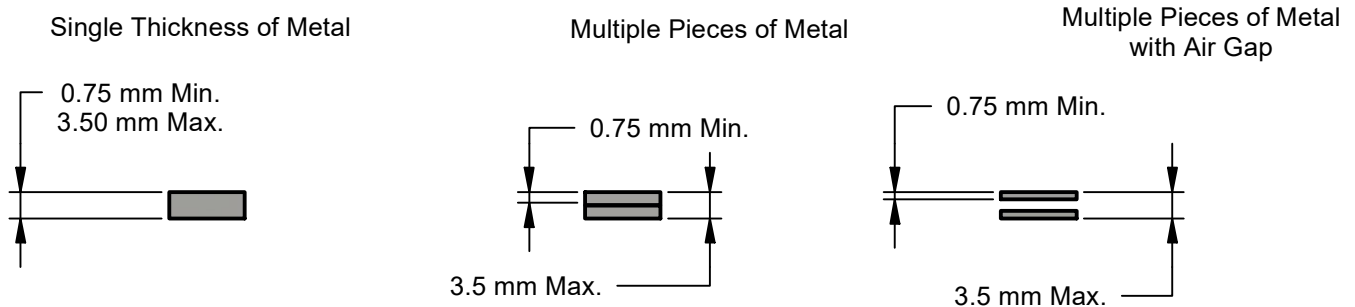
Features	Benefits
Hex Head	Non indented full hex head for decorative side cladding.
Hex Drive	For positive drive under high installation torque.
Zips Point	For easy installation into timber and steel while ensuring maximum pullout strength and high strip torque.
Finish	Corrosion preformance of Climaseal 4 to suit the application.
Colormatch	The 10-16 Ripple Zips can be painted to match Colorbond sheeting colours.

Installation Instructions:

1. Use a 1/4" Hex Socket.
2. Use a mains powered or cordless screw driver with a drive speed of 3,000 RPM maximum.
3. Fit the driver bit onto the screw and place at the fastening position.
4. Apply consistently firm pressure (end load) to the screw driver until the screw has fastened.

Drilling and Installing Capacity:

Timber F7 Pine and F17 Hardwood - minimum embedment 23.0 mm



Mechanical Properties		
Single Shear Strength (N)	Axial Tensile Strength (N)	Torsional Strength (Nm)
5750	12200	8.4

Pullout Values (N)							
G550 Batten 1.0mm	G450 Stud 1.2mm	G450 Purlin 1.5mm	G450 Purlin 1.9mm	G450 Purlin 2.4mm	G450 Purlin 3.2mm	F7 Pine: 23mm Embedment	F17 Hardwood: 23mm Embedment
2800	3500	4300	5800	8300	9500	3800	5200

All values are averages obtained under laboratory conditions and appropriate safety factors should be applied for design purposes. These figures are applicable to Buildex® head marked product only.

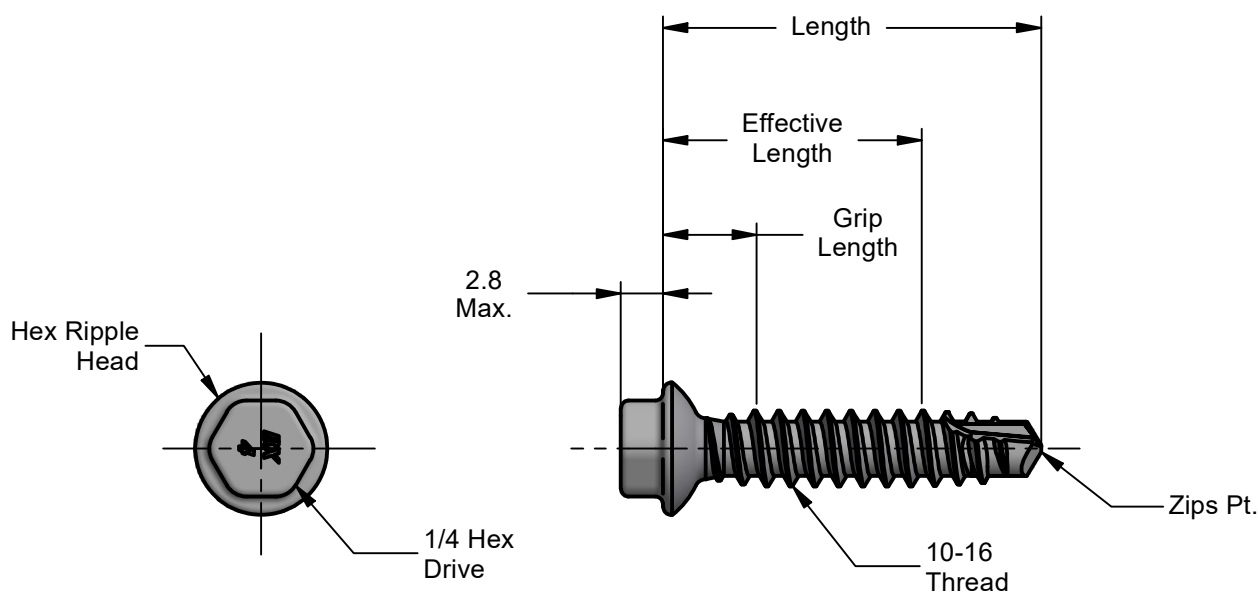
Material: Carbon Steel SAE 1022 | **Heat Treatment:** To AS 3566.1 | **Finish:** Climaseal 4®

Corrosion Performance:

Climaseal 4 Fasteners are suitable for use in Category 4 and 3 corrosive environments as described in ISO 9223-2012 and AS4312-2008

Product Technical Data Sheet

10-16 Hex Head Ripple Zips Climaseal 4



Part Number	Description	Length	Grip Length	Effective Length
6-031-3341-1C4	10-16 x 25 Hex Head Ripple Zips Climaseal 4	23.5 / 25.0	5.0 Max	16.5 Min.

All dimensions nominal unless otherwise stated. Normal manufacturing tolerances apply. All dimensions in millimeters.

Third Angle Projection. Scale Full Size

Buildex® Head Office
600 South Road
Moorabbin Victoria 3189
Australia

1300 368 101
CustomerService-MBN@buildex.com.au

Technical Help Desk
Technicalhelpdesk@buildex.com.au