

Product Technical Data Sheet

14-12 Hex Head CyclonicZips

Application:

Buildex® 14-12 Hex Head CyclonicZips® are designed for crest fixing roof sheets to top hat and timber battens.

The product is available in either bare or with an EDPM Sealing Washer.

In cyclonic regions the 14-12 CyclonicZips® can be used with the RoofLok® Plate or the MultiSeal® Washer.

Features	Benefits
Hex Drive	For positive drive under high installation torque.
Zips Point	For easy installation into top hat batten and timber while ensuring maximum pullout strength and high strip torque.
Buttress Thread	For high pullout values.
Finish	Corrosion performance of Climaseal 4 or Climaseal 5
Colormatch	The CyclonicZips and CyclicZip Assemblies can be painted to Match Colorbond sheeting colours.

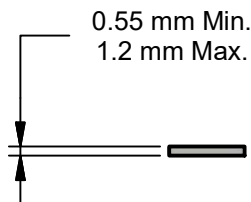
Installation Instructions:

1. Use a 3/8" Hex Socket.
2. Use a mains powered or cordless screw driver with a drive speed of 3,000 RPM maximum.
3. Fit the driver bit into the screw and place at the fastening position.
4. Apply consistently firm pressure (end load) to the screw driver until the screw has fastened.

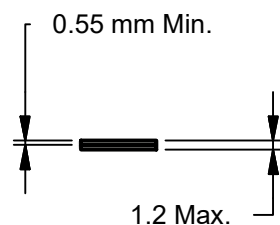
Drilling and Installing Capacity

Timber F7 Pine to Ultra Hard Timber - minimum embedment 25.0 mm

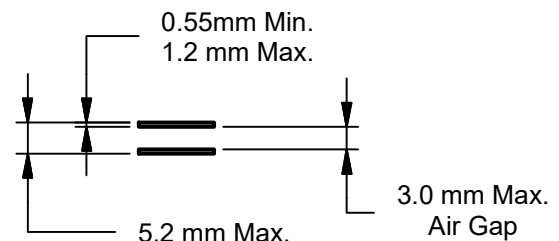
Single Thickness of Metal



Multiple Pieces of Metal



Multiple Pieces of Metal with Air Gap



Mechanical Properties:

Single Shear Strength (Newton) 8,670 | Axial Tensile (Newton) 18,670 | Torsion Strength 17.7 Newton-metre

Pullout Values (Newton):

0.55mm G550 Batten: 1,625 | 0.75mm G550 Batten: 2,716 | 1.0mm G550 Batten: 3,500 | 1.2 mm Steel Stud G250:3,240
F7 (Pine) Timber, 25 mm embedment: 5,610 | F17 (Hardwood) Timber 25 mm embedment: 6,280 | Ultra Hard Timber 7,920

All values are averages obtained under laboratory conditions and appropriate safety factors should be applied for design purposes. These figures are applicable to Buildex® head marked product only.

Material: Carbon Steel SAE 1022 | **Heat Treatment:** To AS 3566.1 | **Finish:** Climaseal 4® or Climaseal 5®

Corrosion Performance:

Climaseal 5 Fasteners are suitable for use in Category 5,4 and 3 corrosive environments as described in ISO 9223-2012 and AS4312-2008

Climaseal 4 Fasteners are suitable for use in Category 4 and 3 corrosive environments as described in ISO 9223-2012 and AS4312-2008

Cyclonic Testing:

RoofLok and MultiSeal assemblies are tested and pasted by the James Cook University Cyclone Testing Station to the Lo-Hi-Lo standard.

Product Technical Data Sheet

14-12 Hex Head CyclonicZips

14-12 Hex Head CyclonicZips Bare Parts			
Part Number	Description	Pack Qty	Pallet Qty
6-031-3330-1C4	14 -12 x 55 CyclonicZip Climaseal 4	1000	72,000
6-031-3372-2C4	14 -12 x 30 CyclonicZip Climaseal 4	500 / 1500	108,000
6-031-5330-1C5	14 -12 x 55 CyclonicZip Climaseal 5	1000	72,000

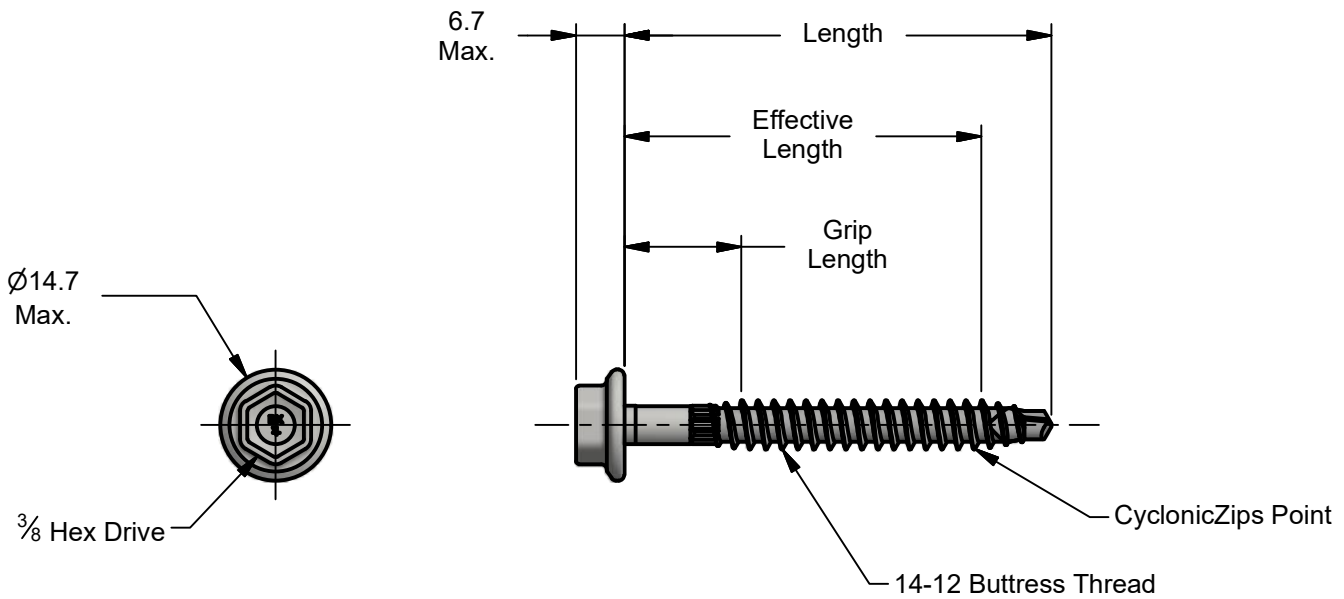
14-12 Hex Head CyclonicZips with Seal			
Part Number	Description	Pack Qty	Pallet Qty
6-030-3330-1C4	14-12 x 55 Cyclonic Zips with Seal Climaseal 4	500	72,000
6-030-3372-2C4	14-12 x 30 Cyclonic Zips with Seal Climaseal 4	500 / 1500	108,000
6-030-5330-1C5	14-12 x 55 CyclonicZips with Seal Climaseal 5	1000	72,000
6-030-3401-1C4	14-12 x 70 Cyclonic Zips with Seal Climaseal 4	500	42,000

14-12 Hex Head CyclonicZips with RoofLok			
Part Number	Description	Pack Qty	Pallet Qty
6-035-3330-1C4	14 -12 x 55 CyclonicZip with Roof-Lok Climaseal 4	250	21,000
6-035-5330-1C5	14 -12 x 55 CyclonicZip with Roof-Lok Climaseal 5	250	21,000

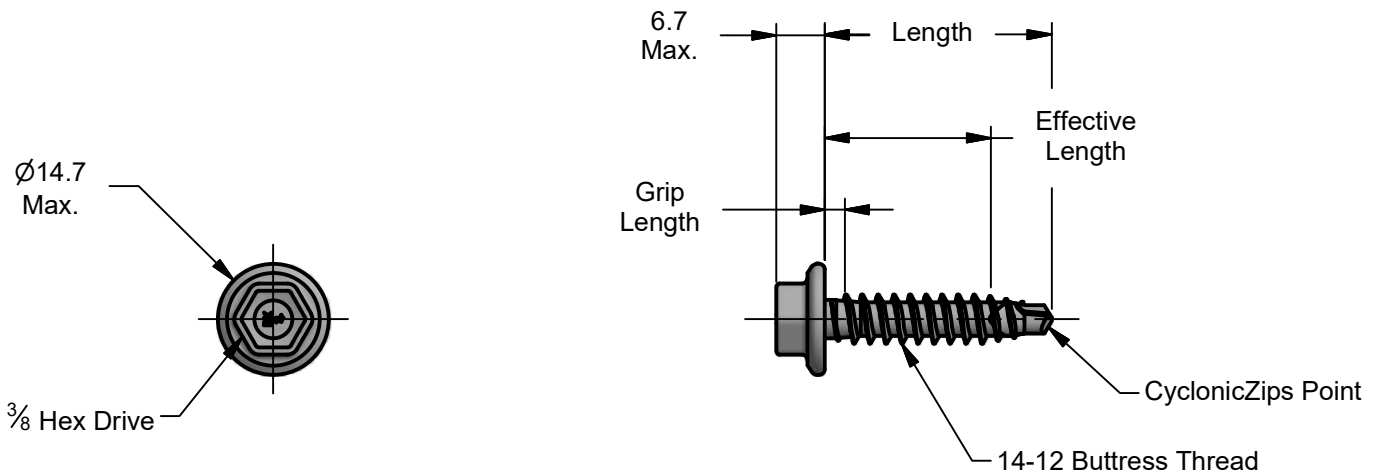
14-12 Hex Head CyclonicZips with Multiseal			
Part Number	Description	Pack Qty	Pallet Qty
6-030-3333-3C4	14-12 x 55 CyclonicZips with Multi-Seal Climaseal 4	250	26,250
6-036-5330-1C5	14-12 x 55 CyclonicZips with MultiSeal Climaseal 5	250	26,250

Product Technical Data Sheet

14-12 Hex Head CyclonicZips



Part Number	Description	Length	Grip Length	Effective Length
6-031-3330-1C4	14 -12 x 55 CyclonicZip Climaseal 4	55.0 / 56.5	13.75 Max.	46.0 Min.
6-031-5330-1C5	14 -12 x 55 CyclonicZip Climaseal 5	55.0 / 56.5	13.75 Max.	46.0 Min.

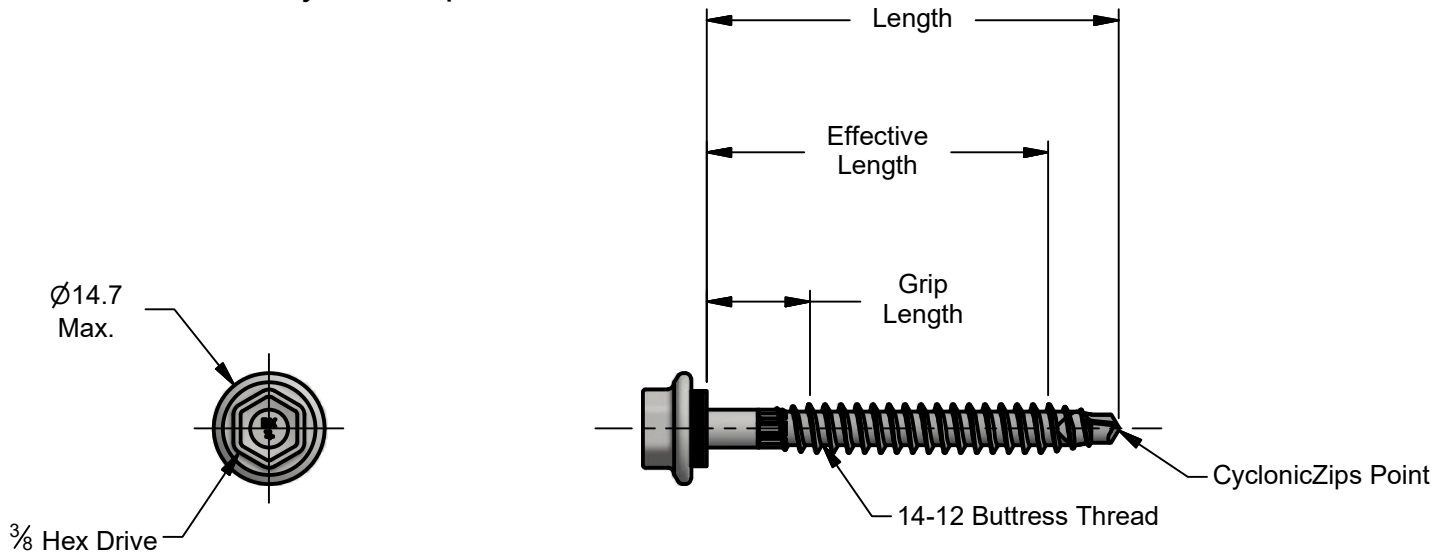


Part Number	Description	Length	Grip Length	Effective Length
6-031-3372-2C4	14 -12 x 30 CyclonicZip Climaseal 4	28.5 / 30.0	2.4 Max.	15.0 Min.

All dimensions nominal unless otherwise stated. Normal manufacturing tolerances apply. All dimensions in millimeters. Third Angle Projection.

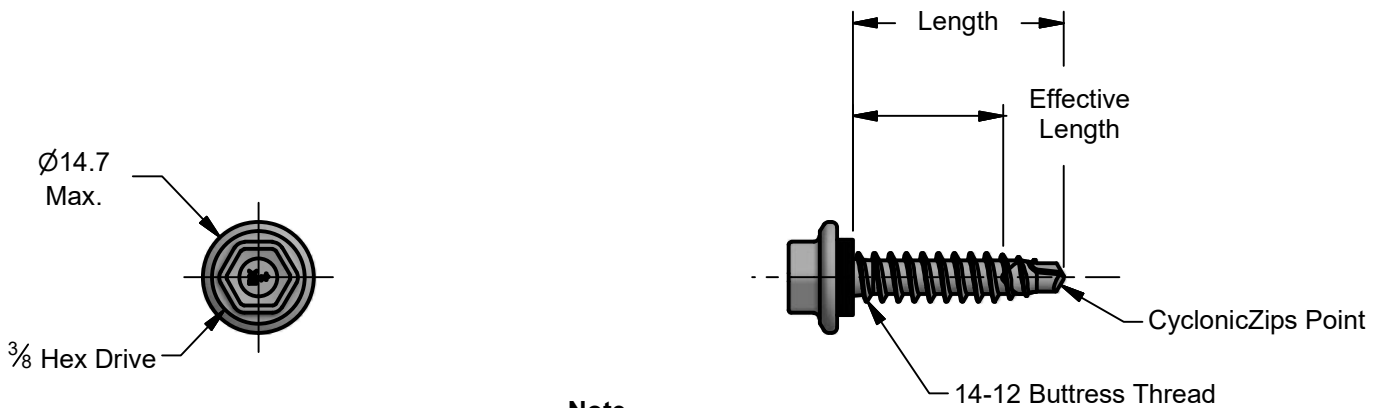
Product Technical Data Sheet

14-12 Hex Head CyclonicZips



Note
Lengths from underside of sealing washer and includes compression.

Part Number	Description	Length	Grip Length	Effective Length
6-030-3330-1C4	14-12 x 55 Cyclonic Zips with Seal Climaseal 4	54.5 / 56.0	13.25 Max.	45.5 Min.
6-030-5330-1C5	14-12 x 55 CyclonicZips with Seal Climaseal 5	54.5 / 56.0	13.25 Max.	45.5 Min.
6-030-3401-1C4	14-12 x 70 Cyclonic Zips with Seal Climaseal 4	68.0 / 69.5	22.5 Max.	60.5 Min.



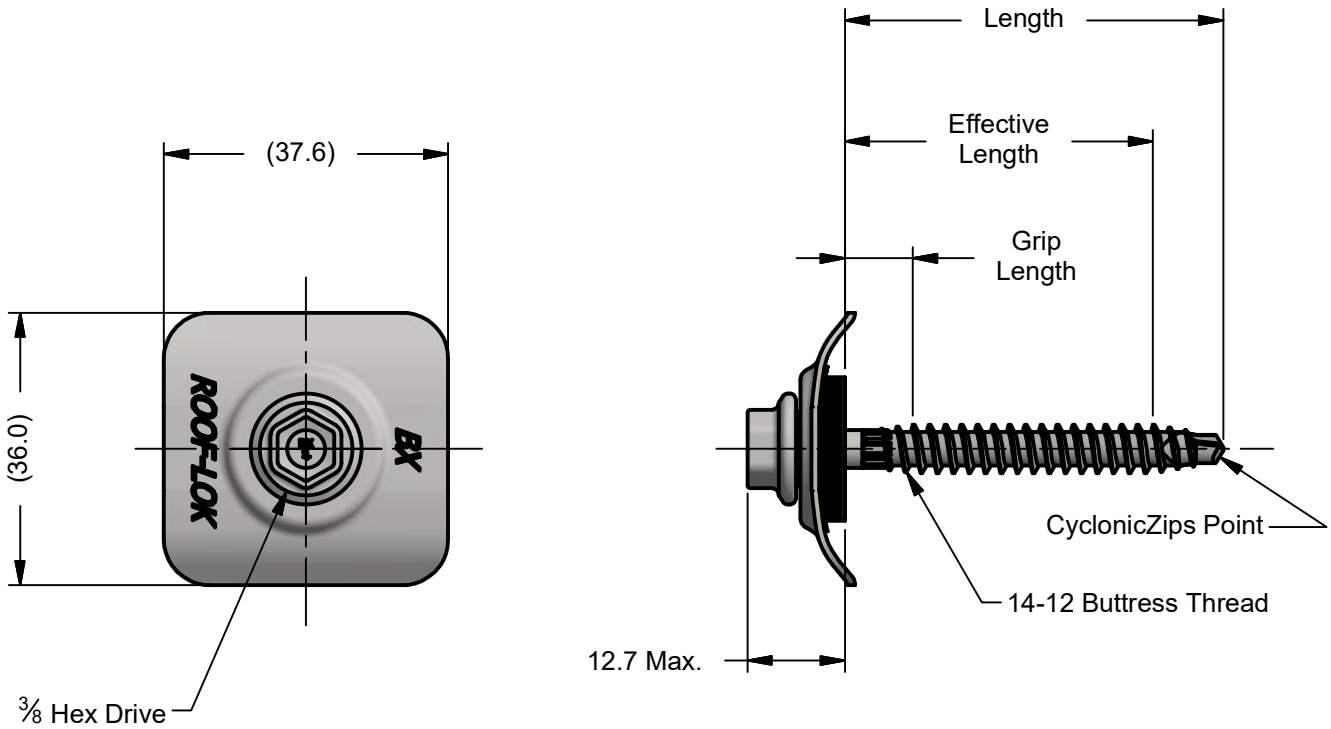
Note
Lengths from underside of sealing washer and includes compression.

Part Number	Description	Length	Effective Length
6-030-3372-2C4	14-12 x 30 Cyclonic Zips with Seal Climaseal 4	28.0 / 29.5	14.5 Min.

All dimensions nominal unless otherwise stated. Normal manufacturing tolerances apply. All dimensions in millimeters. Third Angle Projection.

Product Technical Data Sheet

14-12 Hex Head CyclonicZips



Note

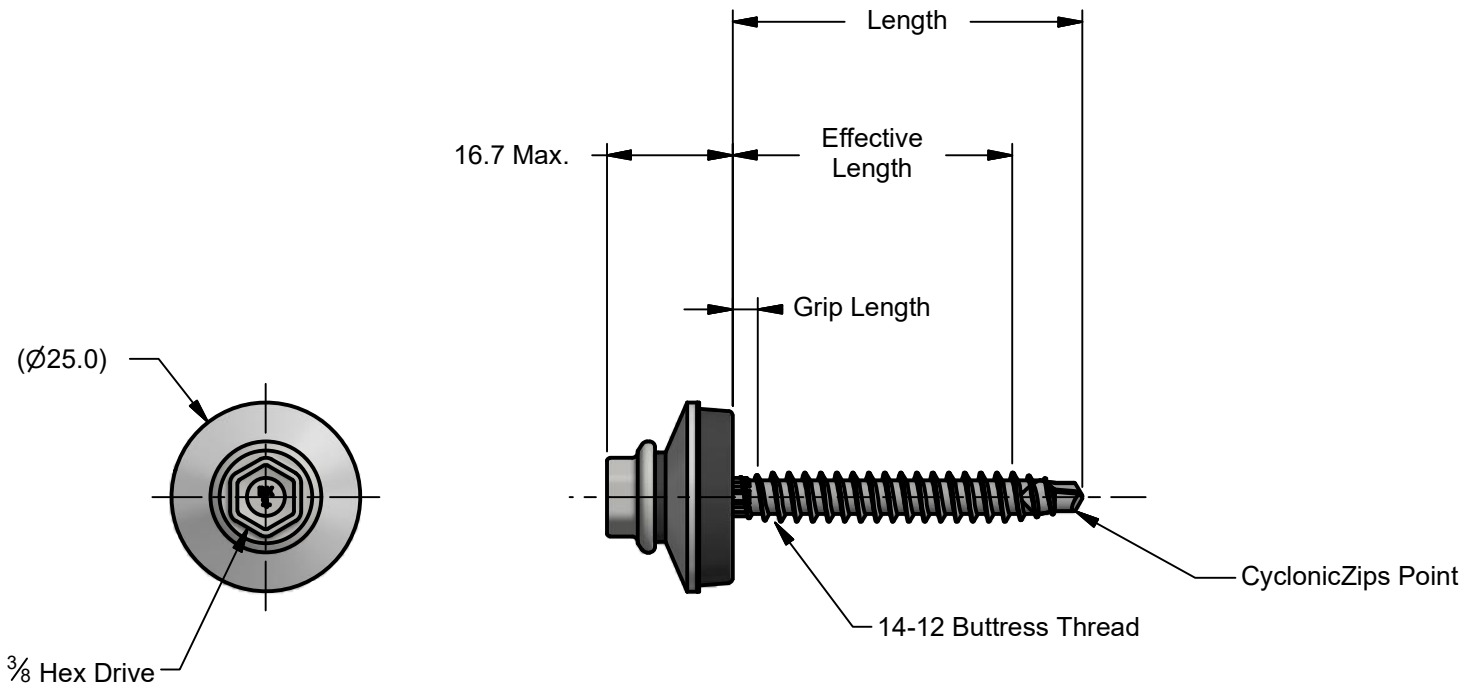
Lengths from underside of sealing washer and includes compression.

Part Number	Description	Length	Grip Length	Effective Length
6-035-3330-1C4	14 -12 x 55 CyclonicZip with Roof-Lok Climaseal 4	49.0 / 51.5	7.75 Max.	40.0 Min.
6-035-5330-1C5	14 -12 x 55 CyclonicZip with Roof-Lok Climaseal 5	49.0 / 51.5	7.75 Max.	40.0 Min.

All dimensions nominal unless otherwise stated. Normal manufacturing tolerances apply. All dimensions in millimeters. Third Angle Projection.

Product Technical Data Sheet

14-12 Hex Head CyclonicZips



Note

Lengths from underside of sealing washer and includes compression.

Part Number	Description	Length	Grip Length	Effective Length
6-030-3333-3C4	14-12 x 55 CyclonicZips with Multi-Seal Climaseal 4	44.0 / 45.5	3.75 Max.	35.0 Min.
6-036-5330-1C5	14-12 x 55 CyclonicZips with MultiSeal Climaseal 5	44.0 / 45.5	3.75 Max.	35.0 Min.

All dimensions nominal unless otherwise stated. Normal manufacturing tolerances apply. All dimensions in millimeters. Third Angle Projection.

Buildex® Head Office
600 South Road
Moorabbin Victoria 3189
Australia

1300 368 101
CustomerService-MBN@buildex.com.au

Technical Help Desk
Technicalhelpdesk@buildex.com.au