

Product Technical Data Sheet

M6-11 Hex Head RoofZips

Application:

Buildex® M6 -11Hex Head RoofZips® are designed for crest fixing roof sheets to top hat and timber battens. The M6 -11 Hex Head RoofZips® can also be used into steel purlin up to 1.5 mm purlin in thickness.

Features	Benefits
Hex Drive	For positive drive under high installation torque.
Zips Point	For easy installation into top hat batten and timber while ensuring maximum pullout strength and high strip torque.
Buttress Thread	For high pullout values.
Finish	Corrosion performance of Climaseal 4 and Climaseal 5
Colormatch	The RoofZips can be painted to Match Colorbond sheeting colours.

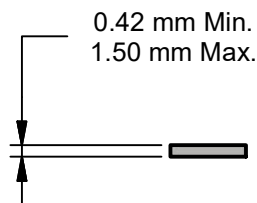
Installation Instructions:

1. Use a 5/16" Hex Socket.
2. Use a mains powered or cordless screw driver with a drive speed of 3,000 RPM maximum.
3. Fit the driver bit into the screw and place at the fastening position.
4. Apply consistently firm pressure (end load) to the screw driver until the screw has fastened.

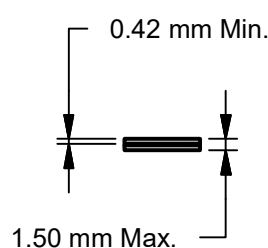
Drilling and Installing Capacity:

Timber F7 Pine to F17 Hardwood - minimum embedment 35.0 mm

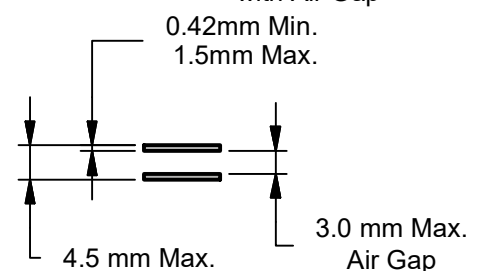
Single Thickness of Metal



Multiple Pieces of Metal



Multiple Pieces of Metal with Air Gap



Mechanical Properties:

Single Shear Strength (Newton) 8,500 | Axial Tensile (Newton) 15,400 | Torsion Strength 14.5 Newton-metre

Pullout Values (Newton):

0.42mm G550 Batten: 1,050 | 0.48 G550 Batten 1,200.55mm G550 Batten: 1,520 | 0.75mm G550 Batten: 2,480 : 1.0mm G550 Batten:tba | 1.2 mm Steel Stud G250:3,280 | 1.5mm G450 Purlin: 5,240
F7 (Pine) Timber, 35 mm embedment: 4,300 | F17 (Hardwood) Timber 35 mm embedment: 6,570

All values are averages obtained under laboratory conditions and appropriate safety factors should be applied for design purposes. These figures are applicable to Buildex® head marked product only.

Material: Carbon Steel SAE 1022 | **Heat Treatment:** To AS 3566.1 | **Finish:** Climaseal 4® or Climaseal 5®

Corrosion Performance:

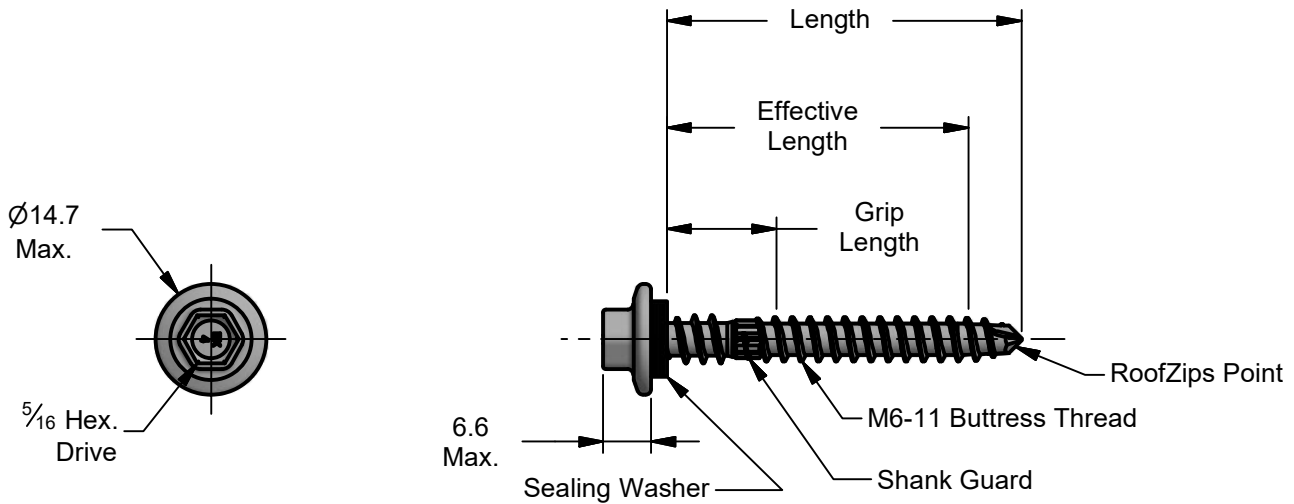
Climaseal 5 Fasteners are suitable for use in Category 5,4 and 3 corrosive environments as described in ISO 9223-2012 and AS4312-2008

Climaseal 4 Fasteners are suitable for use in Category 4 and 3 corrosive environments as described in ISO 9223-2012 and AS4312-2008

Product Technical Data Sheet

M6-11 Hex Head RoofZips

M6 - 11 Hex Head RoofZips with Seal			
Part Number	Description	Pack Qty	Pallet Qty
6-030-3306-1C4	M6-11 x 50 Hi Grip Hex Head Roofzips with Seal Climaseal 4	1000	84,000
6-030-5306-1C5	M6-11 x 50 Hi Grip Hex Head Roofzips with Seal Climaseal 5	1000	84,000
6-030-3307-2C4	M6-11 x 65 Hi Grip Hex Head Roofzips with Seal Climaseal 4	1000	60,000
6-030-5307-2C5	M6-11 x 65 Hi Grip Hex Head Roofzips with Seal Climaseal 5	1000	60,000



Note
Lengths from underside of sealing washer and includes compression.

Part Number	Description	Length	Grip Length	Effective Length
6-030-3306-1C4	M6-11 x 50 Hi Grip Hex Head Roofzips with Seal Climaseal 4	48.0 / 49.5	14.8 / 15.5	39.5 Min.
6-030-5306-1C5	M6-11 x 50 Hi Grip Hex Head Roofzips with Seal Climaseal 5	48.0 / 49.5	14.8 / 15.5	39.5 Min.
6-030-3307-2C4	M6-11 x 65 Hi Grip Hex Head Roofzips with Seal Climaseal 4	63.0 / 64.5	29.8 / 30.5	54.5 Min.
6-030-5307-2C5	M6-11 x 65 Hi Grip Hex Head Roofzips with Seal Climaseal 5	63.0 / 64.5	29.8 / 30.5	54.5 Min.

All dimensions nominal unless otherwise stated. Normal manufacturing tolerances apply.
All dimensions in millimeters. Third Angle Projection. Scale: Full Size.

Buildex® Head Office
600 South Road
Moorabbin Victoria 3189
Australia

1300 368 101
CustomerService-MBN@buildex.com.au

Technical Help Desk
Technicalhelpdesk@buildex.com.au