

Product Technical Data Sheet

14-10 Hex Head Part Threaded Type 17

Application:

Buildex® 14-10 Hex Head Type 17® are designed for crest fixing roof sheets, insulated roof and side panels to timber and thin metal top hat battens.

The product is available in either bare or with an EDPM Sealing Washer.

In cyclonic regions the 14-10 Type17® can be used with the RoofLok® Plate or the MuitiSeal® Washer.

Features	Benefits
Hex Drive	For positive drive under high installation torque.
T17 Point	For easy installation into timber while ensuring maximum pullout strength and high strip torque.
Finish	Corrosion performance of Climaseal 4 or Climaseal 5 to suit the application.
Colormatch	The 14-10 Type 17 and 14-10 Assemblies can be painted to match Colorbond sheeting products.

Installation Instructions:

1. Use a 3/8" Hex Socket.
2. Use a mains powered or cordless screw driver with a drive speed of 3,000 RPM maximum.
3. Fit the driver bit into the screw and place at the fastening position.
4. Apply consistently firm pressure (end load) to the screw driver until the screw has fastened.

Drilling and Installing Capacity:

Buildex suggests a minimum embedment depth of 25mm for roofing screws being installed into timber, however the actual fastener selected needs to match the cladding supplier's fastening recommendations.

Mechanical Properties:

Single Shear Strength (Newton) 10,900 | Axial Tensile (Newton) 19,700 | Torsion Strength 18.5 Newton-metre

Pullout Values (Newton):

F7 (Pine) Timber, 25 mm embedment: 2,729 | F17 (Hardwood) Timber 25 mm embedment: 4,186

F7 (Pine) Timber, 35 mm embedment: 3,820 | F17 (Hardwood) Timber 35 mm embedment: 5,860

All values are averages obtained under laboratory conditions and appropriate safety factors should be applied for design purposes. These figures are applicable to Buildex® head marked product only.

Material: Carbon Steel SAE 1022 | **Heat Treatment:** To AS 3566.1 | **Finish:** Climaseal 4® or Climaseal 5®

Corrosion Performance:

Climaseal 5 Fasteners are suitable for use in Category 5,4 and 3 corrosive environments as described in ISO 9223-2012 and AS4312-2008

Climaseal 4 Fasteners are suitable for use in Category 4 and 3 corrosive environments as described in ISO 9223-2012 and AS4312-2008

Cyclonic Testing:

RoofLok and Multiseal assemblies are tested and pasted by the James Cook University Cyclone Testing Station to the Lo-Hi-Lo standard.

Product Technical Data Sheet

14-10 Hex Head Part Threaded Type 17

14-10 Hex Head T17 Bare Parts			
Part Number	Description	Pack Qty	Pallet Qty
6-031-3008-2C4	14-10 x 50 Hex Head T17 Climaseal 4	1000	72,000
6-031-3009-1C4	14-10 x 65 Hex Head T17 Climaseal 4	1000	60,000
6-031-3013-6C4	14-10 x 75 Hex Head T17 Climaseal 4	500	42,000
6-031-3018-7C4	14-10 x 90 Hex Head T17 Climaseal 4	500	36,000
6-031-3019-5C4	14-10 x 100 Hex Head T17 Climaseal 4	500	30,000
6-031-3248-9C4	14-10 x 125 Hex Head Hi Grip T17 Climaseal 4	250	21,000
6-031-3200-5C4	14-10 x 150 Hex Head Hi Grip T17 Climaseal 4	250	21,000
6-031-3338-8C4	14-10 x 175 Hex Head Hi Grip T17 Climaseal 4	250	21,000
6-031-3352-2C4	14-10 x 200 Hex Head Hi Grip T17 Climaseal 4	250	18,000
6-031-5008-2C5	14-10 x 50 Hex Head T17 Climaseal 5	1000	72,000
6-031-5009-1C5	14-10 x 65 Hex Head T17 Climaseal 5	1000	60,000

14-10 Hex Head T17 with Seal			
Part Number	Description	Pack Qty	Pallet Qty
6-030-3007-1C4	14-10 x 50 Hex Head T17 with Seal Climaseal 4	1000	72,000
6-030-3008-2C4	14-10 x 65 Hex Head T17 with Seal Climaseal 4	1000	72,000
6-030-3009-4C4	14-10 x 75 Hex Head T17 with Seal Climaseal 4	500	42,000
6-030-3010-9C4	14-10 x 90 Hex Head T17 with Seal Climaseal 4	500	36,000
6-030-3038-2C4	14-10 x 100 Hex Head T17 with Seal Climaseal 4	500	30,000
6-030-3248-2C4	14-10 x 125 Hex Head Hi Grip T17 with Seal Climaseal 4	250	21,000
6-030-3200-9C4	14-10 x 150 Hex Head Hi Grip T17 with Seal Climaseal 4	250	21,000
6-030-3338-8C4	14-10 x 175 Hex Head Hi Grip T17 with Seal Climaseal 4	250	21,000
6-030-3352-2C4	14-10 x 200 Hex Head Hi Grip T17 with Seal Climaseal 4	250	21,000
6-030-5007-1C5	14-10 x 50 Hex Head T17 with Seal Climaseal 5	1000	72,000
6-030-5008-2C5	14-10 x 65 Hex Head T17 with Seal Climaseal 5	1000	60,000

Product Technical Data Sheet

14-10 Hex Head Part Threaded Type 17

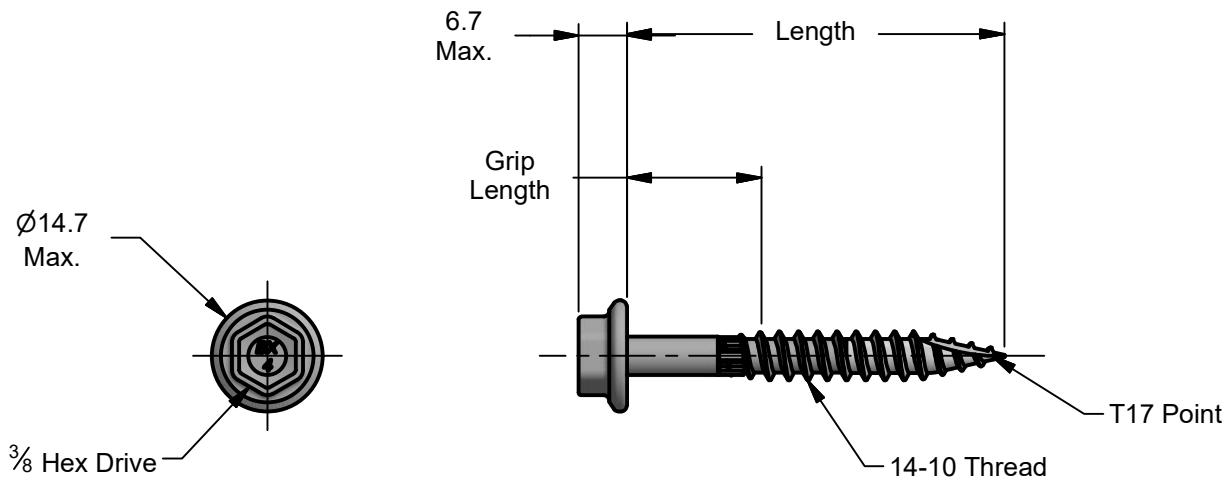
Part Number	Description	Pack Qty	Pallet Qty
6-035-3008-2C4	14-10 x 50 Hex Head T17 with Roof-Lok Climaseal 4	250	18,000
6-035-3009-1C4	14-10 x 65 Hex Head T17 with Roof-Lok Climaseal 4	250	18,000
6-035-3013-6C4	14-10 x 75 Hex Head T17 with Roof-Lok Climaseal 4	200	16,800
6-035-5008-2C5	14-10 x 50 Hex Head T17 with RoofLok Climaseal 5	250	21,000
6-035-5009-1C5	14-10 x 65 Hex Head T17 with Roof-Lok Climaseal 5	250	18,000

Part Number	Description	Pack Qty	Pallet Qty
6-030-3093-2C4	14-10 x 50 Hex Head T17 MultiSeal Assembly Climaseal 4	250	26,250
6-030-3088-6C4	14-10 x 65 Hex Head T17 Multiseal Assembly Climaseal 4	250	26,250
6-030-3014-1C4	14-10 x 75 Hex Head T17 MultiSeal Assembly Climaseal 4	250	26,250
6-030-3292-6C4	14-10 x 90 Hex Head T17 Multiseal Assembly Climaseal 4	250	15,000
6-030-3361-1C4	14-10 x 100 Hex Head T17 MultiSeal Assembly Climaseal 4	150	9,000
6-030-3363-3C4	14-10 x 125 Hex Head T17 MultiSeal Assembly Climaseal 4	150	9,000
6-030-3364-4C4	14-10 x 150 Hex Head T17 MultiSeal Assembly Climaseal 4	150	9,000
6-030-3366-6C4	14-10 x 175 Hex Head T17 MultiSeal Assembly Climaseal 4	150	9,000
6-030-3368-8C4	14-10 x 200 Hex Head T17 MultiSeal Assembly Climaseal 4	150	9,000
6-030-5009-1C5	14-10 x 65 Hex Head T17 with Multi-seal Climaseal 5	250	26,250
6-036-5008-2C5	14-10 x 50 Hex Head T17 with MultiSeal Climaseal 5	250	26,250

Part Number	Description	Pack Qty	Pallet Qty
6-030-3058-9C4	14-10 x 75 Hex Head T17 Hi-Rib Assembly Climaseal 4	200	16,800

Product Technical Data Sheet

14-10 Hex Head Part Threaded Type 17

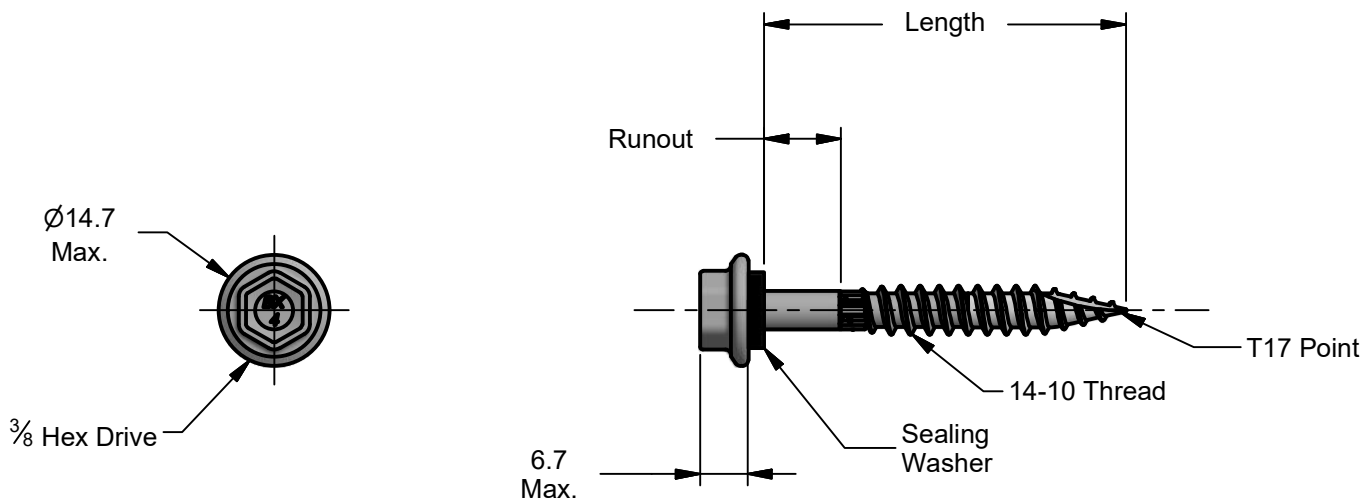


Part Number	Description	Length	Runout
6-031-3008-2C4	14-10 x 50 Hex Head T17 Climaseal 4	48.5 / 50.0	10.0 / 14.0
6-031-3009-1C4	14-10 x 65 Hex Head T17 Climaseal 4	63.5 / 65.0	25.0 / 29.0
6-031-3013-6C4	14-10 x 75 Hex Head T17 Climaseal 4	73.5 / 75.0	25.0 / 29.0
6-031-3018-7C4	14-10 x 90 Hex Head T17 Climaseal 4	88.5 / 90.0	40.0 / 44.0
6-031-3019-5C4	14-10 x 100 Hex Head T17 Climaseal 4	98.5 / 100.0	50.0 / 54.0
6-031-3248-9C4	14-10 x 125 Hex Head Hi Grip T17 Climaseal 4	123.5 / 125.0	72.0 / 76.0
6-031-3200-5C4	14-10 x 150 Hex Head Hi Grip T17 Climaseal 4	148.5 / 150.0	97.0 / 101.0
6-031-3338-8C4	14-10 x 175 Hex Head Hi Grip T17 Climaseal 4	173.5 / 175.0	97.0 / 101.0
6-031-3352-2C4	14-10 x 200 Hex Head Hi Grip T17 Climaseal 4	198.5 / 200.0	123.0 / 125.0
6-031-5008-2C5	14-10 x 50 Hex Head T17 Climaseal 5	48.5 / 50.0	8.75 Max.
6-031-5009-1C5	14-10 x 65 Hex Head T17 Climaseal 5	63.5 / 65.0	25.0 / 29.0

All dimensions nominal unless otherwise stated. Normal manufacturing tolerances apply. All dimensions in millimeters. Third Angle Projection. Scale: Full size

Product Technical Data Sheet

14-10 Hex Head Part Threaded Type 17



Note

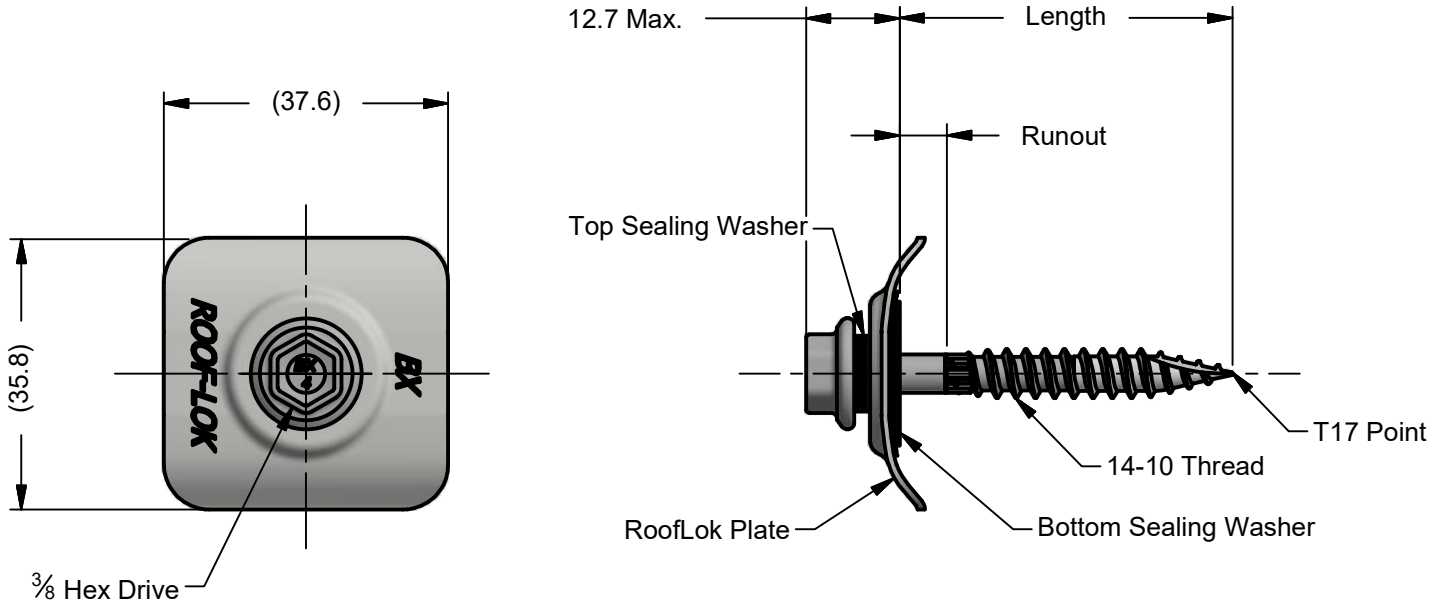
Lengths from underside of sealing washer and includes compression.

Part Number	Description	Length	Runout
6-030-3007-1C4	14-10 x 50 Hex Head T17 with Seal Climaseal 4	48.0 / 49.5	9.5 / 13.5
6-030-3008-2C4	14-10 x 65 Hex Head T17 with Seal Climaseal 4	63.0 / 64.5	24.5 / 28.5
6-030-3009-4C4	14-10 x 75 Hex Head T17 with Seal Climaseal 4	73.0 / 74.5	24.5 / 28.5
6-030-3010-9C4	14-10 x 90 Hex Head T17 with Seal Climaseal 4	88.0 / 89.5	39.5 / 43.5
6-030-3038-2C4	14-10 x 100 Hex Head T17 with Seal Climaseal 4	98.0 / 99.5	49.5 / 53.5
6-030-3248-2C4	14-10 x 125 Hex Head Hi Grip T17 with Seal Climaseal 4	123.0 / 124.5	71.5 / 75.5
6-030-3200-9C4	14-10 x 150 Hex Head Hi Grip T17 with Seal Climaseal 4	148.0 / 149.5	96.5 / 100.5
6-030-3338-8C4	14-10 x 175 Hex Head Hi Grip T17 with Seal Climaseal 4	173.0 / 174.5	96.5 / 100.5
6-030-3352-2C4	14-10 x 200 Hex Head Hi Grip T17 with Seal Climaseal 4	198.0 / 199.5	122.5 / 124.5
6-030-5007-1C5	14-10 x 50 Hex Head T17 with Seal Climaseal 5	48.0 / 49.5	9.5 / 13.5
6-030-5008-2C5	14-10 x 65 Hex Head T17 with Seal Climaseal 5	63.0 / 64.5	24.5 / 28.5

All dimensions nominal unless otherwise stated. Normal manufacturing tolerances apply. All dimensions in millimeters. Third Angle Projection. Scale: Full size

Product Technical Data Sheet

14-10 Hex Head Part Threaded Type 17



Note

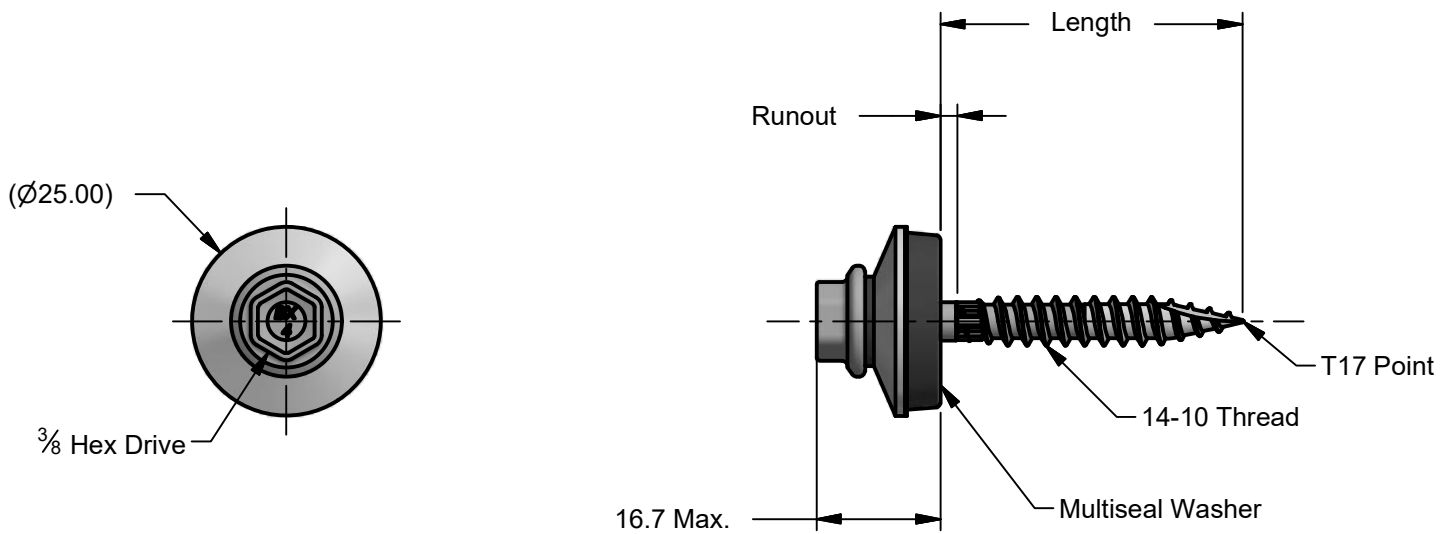
Lengths from underside of sealing washer and includes compression.

Part Number	Description	Length	Runout
6-035-3008-2C4	14-10 x 50 Hex Head T17 with Roof-Lok Climaseal 4	42.5 / 44.0	4.0 / 8.0
6-035-3009-1C4	14-10 x 65 Hex Head T17 with Roof-Lok Climaseal 4	57.5 / 59.0	19.0 / 23.0
6-035-3013-6C4	14-10 x 75 Hex Head T17 with Roof-Lok Climaseal 4	67.5 / 69.0	19.0 / 23.0
6-035-5008-2C5	14-10 x 50 Hex Head T17 with RoofLok Climaseal 5	42.5 / 44.0	4.0 / 8.0
6-035-5009-1C5	14-10 x 65 Hex Head T17 with Roof-Lok Climaseal 5	57.5 / 59.0	19.0 / 23.0

All dimensions nominal unless otherwise stated. Normal manufacturing tolerances apply. All dimensions in millimeters. Third Angle Projection. Scale: Full size

Product Technical Data Sheet

14-10 Hex Head Part Threaded Type 17



Note

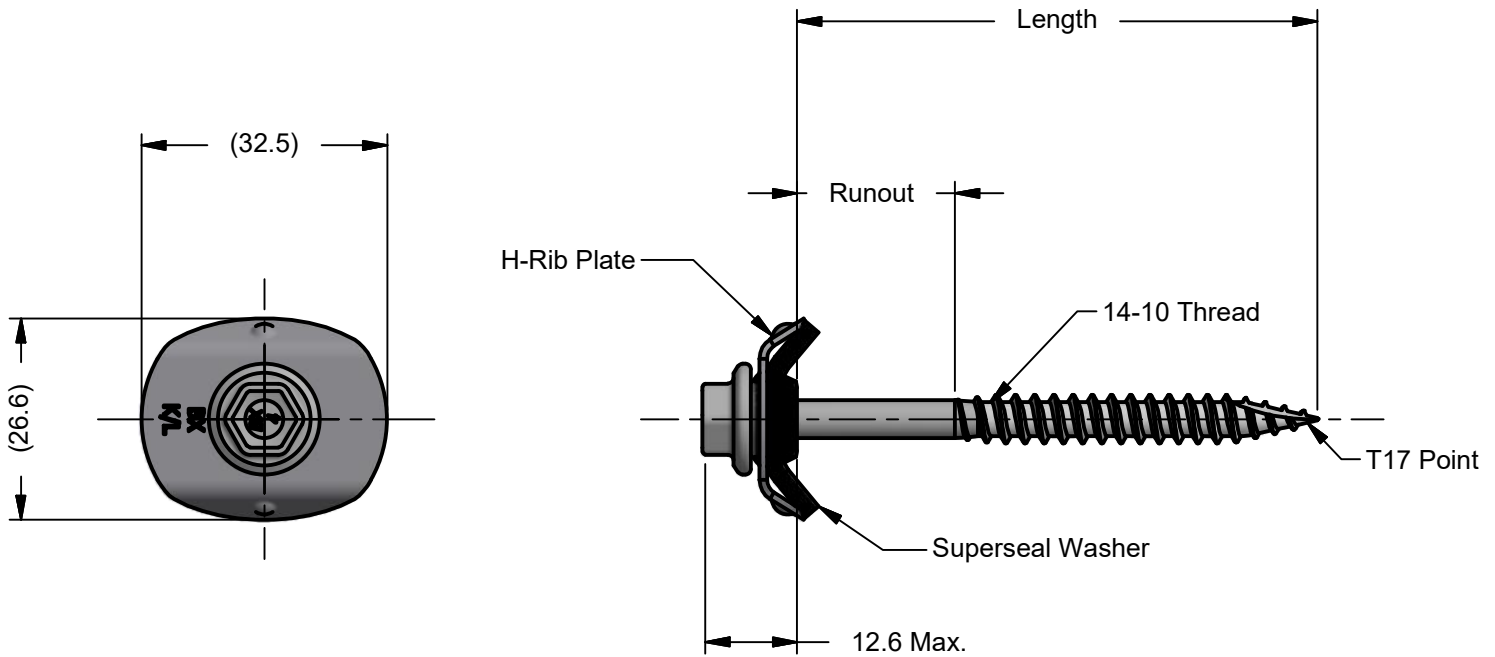
Lengths from underside of sealing washer and includes compression.

Part Number	Description	Length	Runout
6-030-3093-2C4	14-10 x 50 Hex Head T17 Multiseal Assembly Climaseal 4	38.5 / 40.0	4.0 Max.
6-030-3088-6C4	14-10 x 65 Hex Head T17 Multiseal Assembly Climaseal 4	53.5 / 55.0	15.0 / 19.0
6-030-3014-1C4	14-10 x 75 Hex Head T17 Multiseal Assembly Climaseal 4	63.5 / 65.0	15.0 / 19.0
6-030-3292-6C4	14-10 x 90 Hex Head T17 Multiseal Assembly Climaseal 4	78.5 / 80.0	30.0 / 34.0
6-030-3361-1C4	14-10 x 100 Hex Head T17 Multiseal Assembly Climaseal 4	98.5 / 90.0	40.0 / 44.0
6-030-3363-3C4	14-10 x 125 Hex Head T17 Multiseal Assembly Climaseal 4	113.5 / 115.0	62.0 / 66.0
6-030-3364-4C4	14-10 x 150 Hex Head T17 Multiseal Assembly Climaseal 4	138.5 / 140.0	87.0 / 91.0
6-030-3366-6C4	14-10 x 175 Hex Head T17 Multiseal Assembly Climaseal 4	163.5 / 165.0	87.0 / 91.0
6-030-3368-8C4	14-10 x 200 Hex Head T17 Multiseal Assembly Climaseal 4	188.5 / 190.0	113.0 / 115.0
6-030-5009-1C5	14-10 x 65 Hex Head T17 with Multi-seal Climaseal 5	53.5 / 55.0	15.0 / 19.0
6-036-5008-2C5	14-10 x 50 Hex Head T17 with MultiSeal Climaseal 5	38.5 / 40.0	4.0 Max.

All dimensions nominal unless otherwise stated. Normal manufacturing tolerances apply. All dimensions in millimeters. Third Angle Projection. Scale: Full size

Product Technical Data Sheet

14-10 Hex Head Part Threaded Type 17



Note

Lengths from underside of sealing washer and includes compression.

Part Number	Description	Length	Runout
6-030-3058-9C4	14-10 x 75 Hex Head T17 Hi-Rib Assembly Climaseal 4	67.5 / 69.0	19.0 / 23.0

All dimensions nominal unless otherwise stated. Normal manufacturing tolerances apply. All dimensions in millimeters. Third Angle Projection. Scale: Full size

Buildex® Head Office
600 South Road
Moorabbin Victoria 3189
Australia

1300 368 101
CustomerService-MBN@buildex.com.au

Technical Help Desk
Technicalhelpdesk@buildex.com.au