

Product Technical Data Sheet

10-12 x 25 Hex Head Full Thread Type 17

Part Number	Description	Pack Qty	Pallet Qty
6-031-3053-3C4	10-12 x 25 Hex Head Type 17 Climaseal 4	1000 / 3000	216,000
6-030-3001-1C4	10-12 x 25 Hex Head Type 17 with Seal Climaseal 4	1000 / 3000	216,000

Application:

Buildex® 10-12 Hex Head fully threaded Type 17® are designed for valley fixing roof sheets and side cladding to top hat and timber battens.

The product can also be used for furniture, pergolars, gates and fences.

Features	Benefits
Hex Drive	For positive drive under high installation torque.
T17 Point	For easy installation into timber while ensuring maximum pullout strength and high strip torque.
Finish	Corrosion performance of Climaseal 4 to suit the application.
Colormatch	The 10-12 Type 17 can be painted to match Colorbond sheeting products.

Installation Instructions:

1. Use a 5/16" Hex Socket.
2. Use a mains powered or cordless screw driver with a drive speed of 3,000 RPM maximum.
3. Fit the driver bit into the screw and place at the fastening position.
4. Apply consistently firm pressure (end load) to the screw driver until the screw has fastened.

Drilling and Installing Capacity:

Timber F7 Pine to F17 Hardwood - minimum embedment 23.0 mm

Mechanical Properties:

Single Shear Strength (Newton) 4,700 | Axial Tensile (Newton) 8,800 | Torsion Strength 7.2 Newton-metre

Pullout Values (Newton):

F7 (Pine) Timber, 23 mm embedment: 3,800 | F17 (Hardwood) Timber 23 mm embedment: 5,200

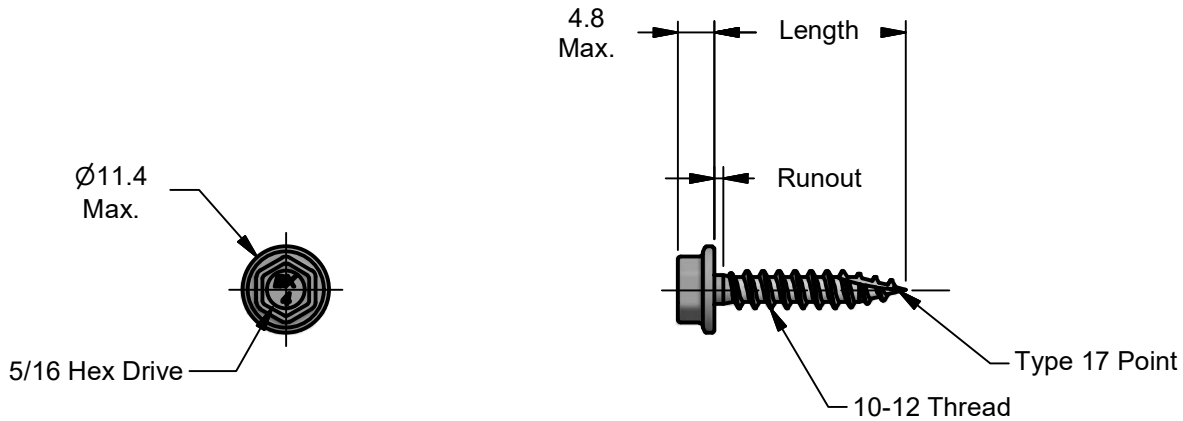
Material: Carbon Steel SAE 1022 | **Heat Treatment:** To AS 3566.1 | **Finish:** Climaseal 4®

Corrosion Performance:

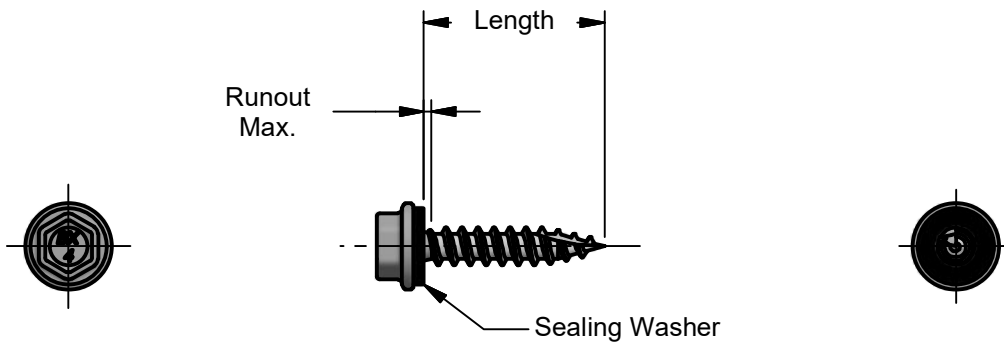
Climaseal 4 Fasteners are suitable for use in Category 4 and 3 corrosive environments as described in ISO 9223-2012 and AS4312-2008

Product Technical Data Sheet

10-12 x 25 Hex Head Full Thread Type 17



Part Number	Description	Length	Runout
6-031-3053-3C4	10-12 x 25 Hex Head Type 17 Climaseal 4	23.5 / 25.0	1.5 Max.



Note

Lengths from underside of sealing washer and includes compression.

Part Number	Description	Length	Runout
6-030-3001-1C4	10-12 x 25 Hex Head Type 17 with Seal Climaseal 4	23.0 / 24.5	1.0 Max.

All dimensions nominal unless otherwise stated. Normal manufacturing tolerances apply. All dimensions in millimeters. Third Angle Projection. Scale Full Size

Buildex® Head Office
600 South Road
Moorabbin Victoria 3189
Australia

1300 368 101
CustomerService-MBN@buildex.com.au

Technical Help Desk
Technicalhelpdesk@buildex.com.au