

## Product Technical Data Sheet

### 8-15 Stainless Steel 410 Grade Stitch Screw

Part Number	Description	Pack Qty	Pallet Qty
6-112-0009-9	8-15 x 15 Hex Head Slotted with Serrations Stainless Needle Pt	1000 / 4000	288,000

#### Application:

Buildex® 8-15 Hex Head Stainless 410 Stitch Screw is used for fixing unsupported overlaps of roof and side cladding to a total thickness of 0.8 mm when protection from a corrosive environments and or a complete system compatibility is crucial.

#### Product Compatibility with Cladding:

Refer to BlueScope Technical Bulletin TB-16

#### Features:

Hex Head  
Slotted Head  
AB Point  
Material Finish

#### Benefits:

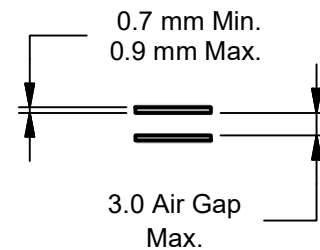
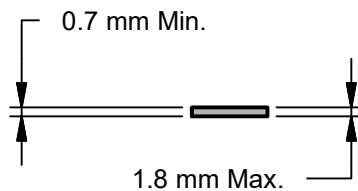
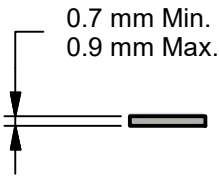
For positive drive  
For easy removal with a screw driver.  
For piecing into sheet while ensuring maximum pullout strength and a high strip torque.  
Stainless Steel Corrosion performance to suit the application.

#### Drilling and Installing Capacity:

Single Thickness of Aluminium

Multiple Pieces of Aluminium

Multiple Pieces of Aluminium  
with Air Gap



#### Installation Instructions:

1. Use a 1/4" Hex Socket.
2. Use a mains powered or cordless screw driver with a drive speed of 3,000 RPM maximum.
3. Fit the driver bit into the screw and place at the fastening position.
4. Apply consistently firm pressure (end load) to the screw driver until the screw has fastened.

#### Mechanical Properties:

Single Shear Strength (N) x | Axial Tensile (N) x | Torsion Strength 7.0 N-m

#### Pullouts:

0.7 mm Aluminium Single (N) 700 | 0.7 mm Aluminium Lapped (N) 1250 | 0.9 mm Aluminium Single (N) 1050 |  
0.9 mm Aluminium Lapped (N) 1350 | 1.2 mm Aluminium Single (N) 1600 | 1.2 mm Aluminium Lapped (N) 1900

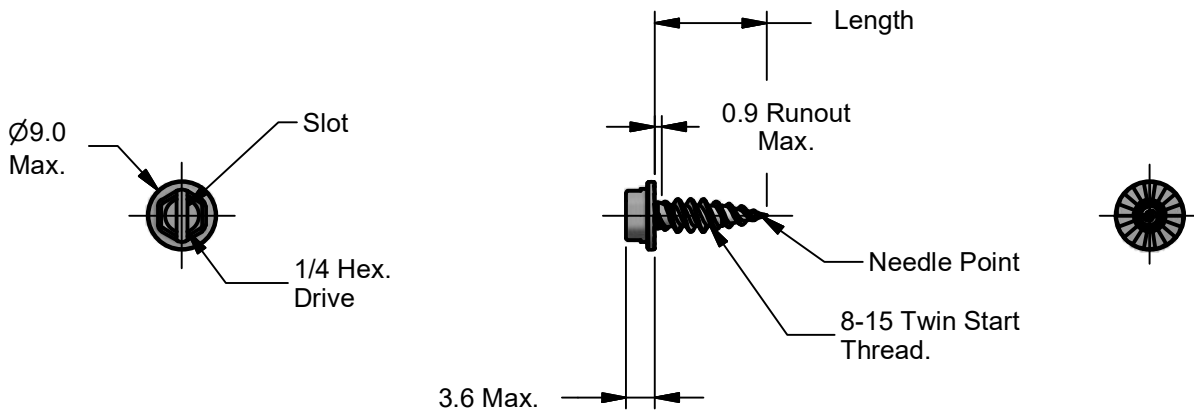
All values are averages obtained under laboratory conditions and appropriate safety factors should be applied for design purposes. These figures are applicable to Buildex® head marked product only.

**Material:** Stainless Steel Grade 410 | **Heat Treatment:** To AS 3566.1 | **Finish:** Stainless Steel

**Corrosion Performance:** Stainless Steel Grade 410

## Product Technical Data Sheet

### 8-15 Stainless Steel 410 Grade Stitch Screw



Part Number	Description	Length
6-112-0009-9	8-15 x 15 Hex Head Slotted with Serrations Stainless Needle Pt	13.5 / 15.0

All dimensions nominal unless otherwise stated. Normal manufacturing tolerances apply. All dimensions in millimeters. Third Angle Projection. Scale Full Size

Buildex® Head Office  
600 South Road  
Moorabbin Victoria 3189  
Australia

1300 368 101  
CustomerService-MBN@buildex.com.au

Technical Help Desk  
Technicalhelpdesk@buildex.com.au