

## Product Technical Data Sheet

### 5/16-12 x 17 Smooth Top Trusstite Ezi-Coat

Part Number	Description	Pack Qty	Pallet Qty
6-181-0013-3MP	5/16-12 x 17 Smooth Top Trusstite	500 / 1500	108,000

#### Application:

Buildex® 5/16 Smooth TrussTite® Screw is used for the assembly of steel roof trusses and floor trusses into pre-punched holes.

**Material Thickness:** 0.75 mm | 1.0 mm | 1.2 mm | 1.6 mm

Features	Benefits
5/16 Hex Drive	Easy to drive and a common hex size with 10g and 12g Hex Head Products.
Trusstite Thread	Ensures maximum pullout strength and a high strip torque.
Self Tapping Point	Easy to start and align in the punched hole.
Finish	Corrosion performance of Climaseal 3 to suit the application.

#### Installation Instructions:

1. Use a Number 3 Phillips Cross Recess driver bit.
2. Use a air driven, mains powered, cordless - non impact, impact cordless driver with a drive speed of 1,500 RPM maximum.
3. Fit the driver bit into the screw and place at the fastening position.
4. Apply consistently firm pressure (end load) to the screw driver until the screw has fastened.

**Driver Tool Minium Torque: TBA**

#### Mechanical Properties:

Single Shear Strength (Newton) 18,000 Min. | Axial Tensile (Newton) 31,500 Min.  
Torsion Strength (Newton-metre) 38.4 Min.

#### Pullout Values (Newton):

Steel Frame Section 0.75: 1,900 | Steel Frame Section 1.00: 2,850 | Steel Frame Section 1.20: 3,750

All values are averages obtained under laboratory conditions and appropriate safety factors should be applied for design purposes. These figures are applicable to Buildex® head marked product only.

#### Recommended Punched Hole Sizes (mm):

Steel Section 0.75 mm x 2: punch hole dia 6.9 / 7.1  
Steel Section 1.00 mm x 2: punch hole dia 7.1 / 7.3  
Steel Section 1.20 mm x 2 punched hole diameter 7.2 / 7.4  
Steel Section 1.6 mm punched hole diameter 7.5 / 7.6

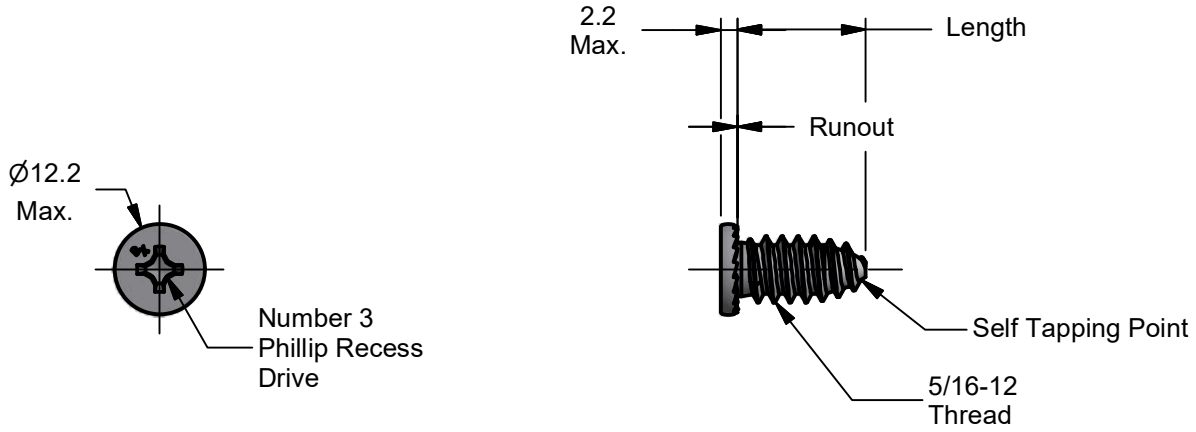
**Material:** Carbon Steel SAE 1022 | **Heat Treatment:** To AS 3566.1 | **Finish:** Ezi-Coat®

#### Corrosion Performance:

Ezi-Coat Fasteners are suitable for use in Category 3 corrosive environments as described in ISO 9223-2012 and AS4312-2008

## Product Technical Data Sheet

### 5/16-12 x 17 Smooth Top Trusstite Ezi-Coat



Part Number	Description	Length	Runout
6-181-0013-3MP	5/16-12 x 17 Smooth Top Trusstite	15.5 / 17.0	0.75 Max.

All dimensions nominal unless otherwise stated. Normal manufacturing tolerances apply. All dimensions in millimeters. Third Angle Projection. Scale Full Size

Buildex® Head Office  
 600 South Road  
 Moorabbin Victoria 3189  
 Australia

1300 368 101  
 CustomerService-MBN@buildex.com.au

Technical Help Desk  
 Technicalhelpdesk@buildex.com.au