

## Product Technical Data Sheet

### 8-15 Hex Slotted Head Needle Point Stitch Screws

Part Number	Description	Pack Qty	Pallet Qty
6-241-0037-1CS	8-15 x 15 Slotted Hex with Serrations Twin Start Needle Pt Climaseal 3	1000	72,000

#### Application:

Buildex® 8-15 Hex Head Stitch Screw is used for fixing unsupported overlaps of roof and side cladding to a total thickness of 1.0 mm, the product can also be used in guttering applications.

Features	Benefits
Hex Drive	For positive drive under high installation torque.
Head with Serrations	For easy embedment into timber
Thread	For maximum pullout strength and high strip torque.
Needle Point	Removing the need to pre-drill when used into steel.
Finish	Corrosion performance of Climaseal 3 to suit the application.

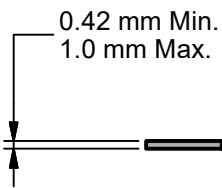
#### Installation Instructions:

1. Use a 1/4" Hex Socket.
2. Use a mains powered or cordless screw driver with a drive speed of 3,000 RPM maximum.
3. Fit the driver bit into the screw and place at the fastening position.
4. Apply consistently firm pressure (end load) to the screw driver until the screw has fastened.

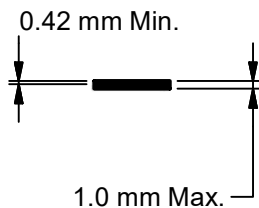
#### Drilling and Installing Capacity

Timber: Chipboard, and Timber: F7 (Pine) - minium embedment 10.0 mm

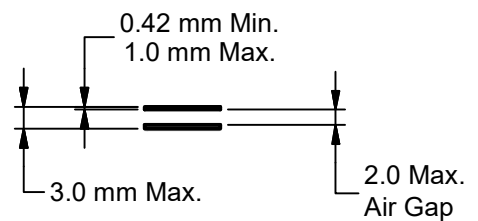
##### Single Thickness of Metal



##### Multiple Pieces of Metal



##### Multiple Pieces of Metal with Air Gap



#### Mechanical Properties:

Single Shear Strength (Newton) 4,900 | Axial Tensile (Newton) 6,100 | Torsion Strength 5.7 Newton-metre

#### Pullout Values (Newton):

##### Steel

0.42 mm Cladding G550: tba } 0.55 mm Batten G550:TBA | 0.75 mm Batten G550:TBA | 1.0 mm Batten G550:TBA

##### Timber

F7 (Pine) 10 mm Embedment: TBA

All values are averages obtained under laboratory conditions and appropriate safety factors should be applied for design purposes. These figures are applicable to Buildex® head marked product only.

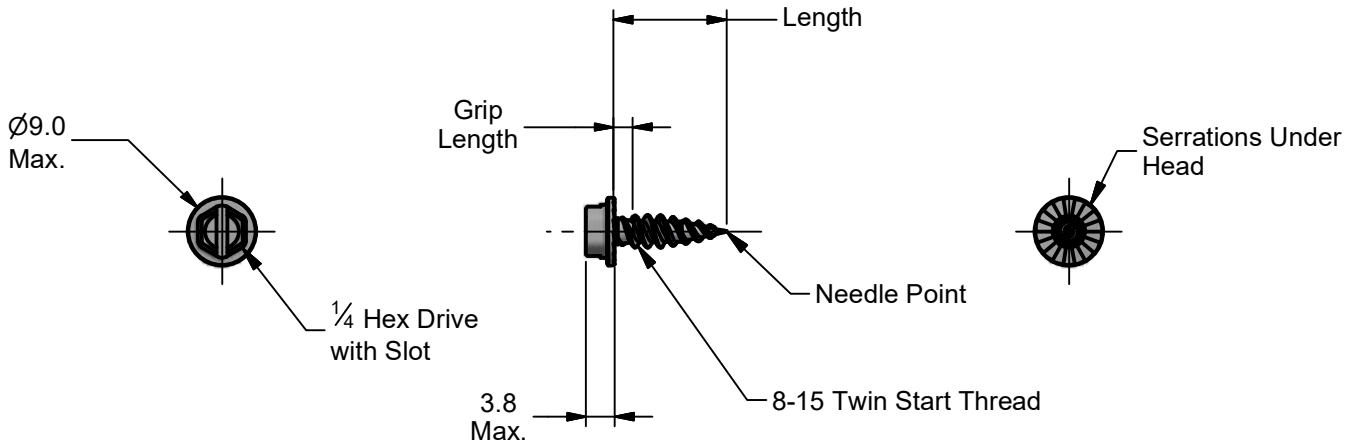
**Material:** Carbon Steel SAE 1022 | **Heat Treatment:** To AS 3566.1 | **Finish:** Climaseal 3®

#### Corrosion Performance:

Climaseal 3 Fasteners are suitable for use in Category 3 corrosive environments as described in ISO 9223-2012 and AS4312-2008

## Product Technical Data Sheet

### 8-15 Hex Slotted Head Needle Point Stitch Screws



Part Number	Description	Length	Grip Length
6-241-0037-1CS	8-15 x 15 Slotted Hex with Serrations Twin Start Needle Pt Climaseal 3	14.0 / 16.0	2.0 Max.

All dimensions nominal unless otherwise stated. Normal manufacturing tolerances apply. All dimensions in millimeters.  
Third Angle Projection.

Buildex® Head Office  
600 South Road  
Moorabbin Victoria 3189  
Australia

1300 368 101  
CustomerService-MBN@buildex.com.au

Technical Help Desk  
Technicalhelpdesk@buildex.com.au