

Product Technical Data Sheet

14-20 Hex Head TekS Climaseal 4

Part Number	Description	Pack Qty	Pallet Qty
6-310-3403-3C4	14-20x 45 Hex Head TekS with Seal Climaseal 4	1000	84,000
6-310-3035-4C4	14-20x 65 Hex Head TekS with Seal Climaseal 4	1000	60,000

Application:

Buildex® 14-20 Hex Head TekS® Screws are used for fixing metal to metal.

Features	Benefits
Hex Drive	For positive drive under high installation torque.
TekS Point	For drilling into metal while ensuring maximum pullout strength and high strip torque.
Finish	Corrosion performance of Climaseal 4 to suit the application.

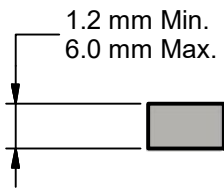
Installation Instructions:

1. Use a $\frac{3}{8}$ Hex Head Driver Bit.
2. Use a mains powered or cordless screw driver with a 3,000 RPM maximum.
3. Fit the driver bit into the screw and place at the fastening position.
4. Apply consistently firm pressure (end load) to the screw driver until the screw has fastened.

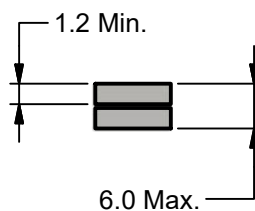
Drilling and Installing Capacity

Square Tube 3.0 mm Min. to 5.0 mm Max.

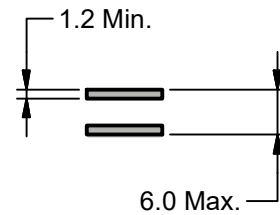
Single Thickness of Metal



Multiple Pieces of Metal



Multiple Pieces of Metal with Air Gap



Mechanical Properties:

Single Shear Strength (Newton) 11,200 | Axial Tensile (Newton) 21,200 | Torsion Strength 20,40 Newton-metre

Pullout Values (Newton):

Steel Purlin G450 1.2 mm: 2,100 | Steel Purlin G450 1.5 mm: 4,200 | Steel Purlin G450 1.9 mm: 5,700 | Steel Purlin G450 2.4 mm : 7,700 | Steel Purlin G450 3.0 mm : 9,600 | Steel HRS 6.0 mm : 22,200 (Screw Failed) | Square Steel Tube: 3.00 mm: 9,400 | Square Steel Tube: 4.00 mm: 14,900 | Square Steel Tube: 5.00 mm: 15,400

All values are averages obtained under laboratory conditions and appropriate safety factors should be applied for design purposes. These figures are applicable to Buildex® head marked product only.

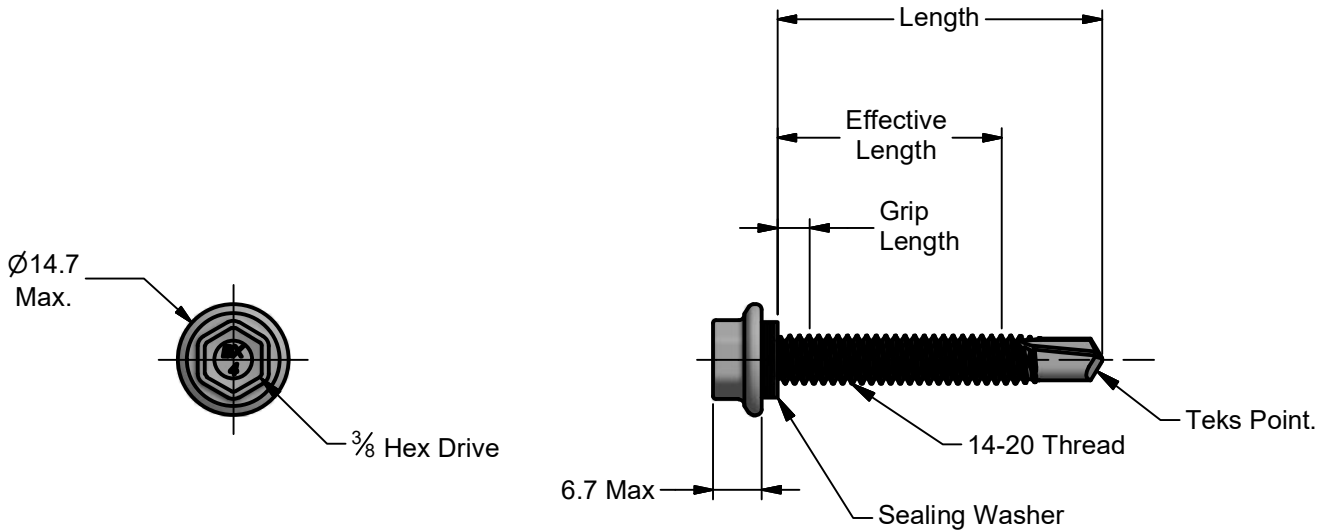
Material: Carbon Steel SAE 1022 | **Heat Treatment:** To AS 3566.1 | **Finish:** Climaseal 4®

Corrosion Performance:

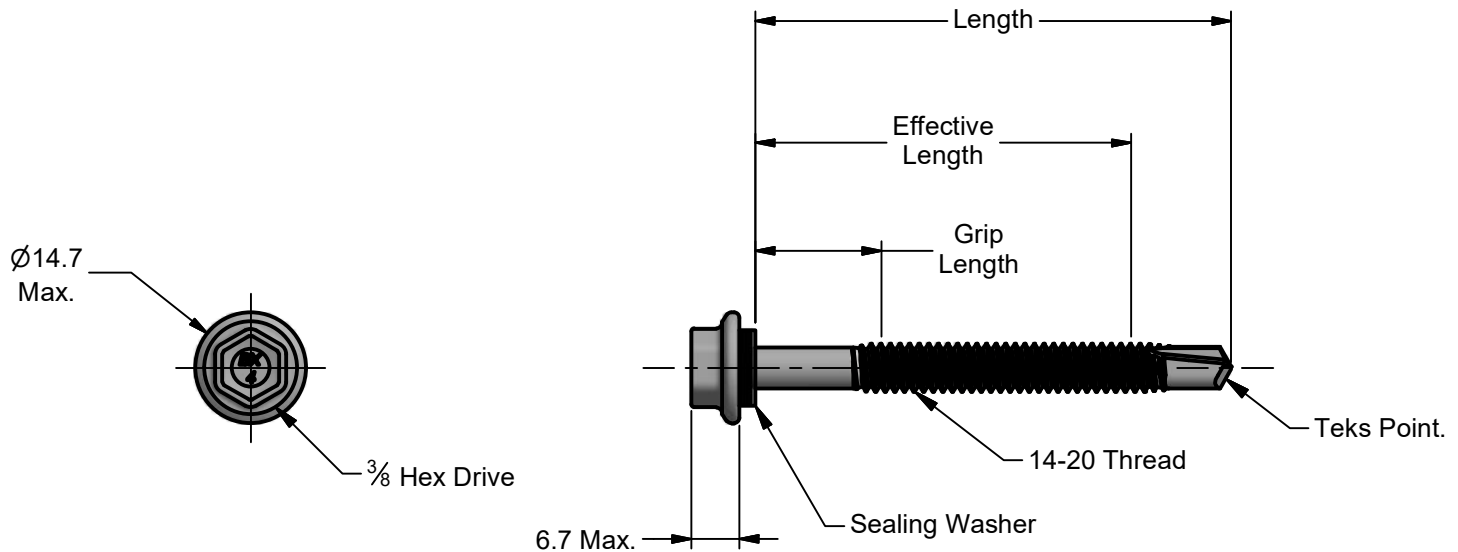
Climaseal 4 Fasteners are suitable for use in Category 4 and 3 corrosive environments as described in ISO 9223-2012 and AS4312-2008

Product Technical Data Sheet

14-20 Hex Head Teks Climaseal 4



Part Number	Description	Length	Grip Length	Effective Length
6-310-3403-3C4	14-20 x 45 Hex Head Teks with Seal Climaseal 4	43.5 / 44.5	3.1 Max.	30.2 Min.



Part Number	Description	Length	Grip Length	Effective Length
6-310-3035-4C4	14-20x 65 Hex Head Teks with Seal Climaseal 4	63.5 / 65.0	14.5.0 / 19.5	50.0 Min.

All dimensions nominal unless otherwise stated. Normal manufacturing tolerances apply. All dimensions in millimeters. Third Angle Projection. Scale: Full Size

Buildex® Head Office
 600 South Road
 Moorabbin Victoria 3189
 Australia
 1300 368 101
 CustomerService-MBN@buildex.com.au
 Technical Help Desk
 Technicalhelpdesk@buildex.com.au