

Product Technical Data Sheet

10-24 Wafer Head Full Thread TekS

Part Number	Description	Pack Qty	Pallet Qty
6-311-0021-3MP	10-24 x 16 Wafer TekS Climaseal 3	1000 / 4000	288,000
6-311-0025-6MP	10-24 x 22 Wafer TekS Climaseal 3	1000 / 4000	288,000
6-311-0312-9MP	10-24 x 40 Wafer TekS Climaseal 3	500 / 2000	144,000

Application:

Buildex® 10-24 Wafer Head TekS® Screw can be used for the assembly of steel wall frames, wall bracing, door and window lintels. The product does not require a pre punched hole but can be used with pre punched holes \varnothing 4,1 mm or smaller. Other applications are fixing Concealed Fix Clips and Side Cladding, metal to metal fixing in the HAVAC, plumbing and steel fabrication industries.

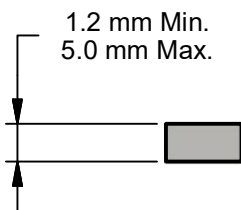
Features	Benefits
Wafer Head	For applications requiring a low profile head.
Phillips Drive	For positive drive under high installation torque.
TekS Point	For easy installation into steel while ensuring maximum pullout strength and high strip torque.
Finish	Corrosion performance of Climaseal 3 to suit the application.

Installation Instructions:

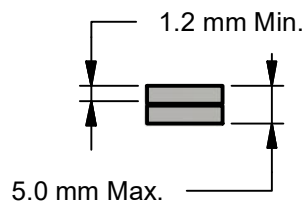
1. Use a Number 2 Phillips Cross Recess driver bit..
2. Use a mains powered or cordless screw driver with a drive speed of 3,000 RPM maximum.
3. Fit the driver bit into the screw and place at the fastening position.
4. Apply consistently firm pressure (end load) to the screw driver until the screw has fastened.

Drilling and Installing Capacity:

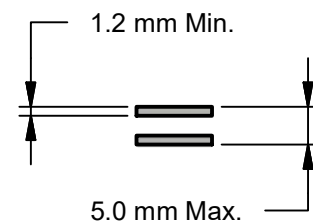
Single Thickness of Metal



Multiple Pieces of Metal



Multiple Pieces of Metal with Air Gap



Mechanical Properties:

Single Shear Strength (Newton) 6,200 | Axial Tensile (Newton) 11,400 | Torsion Strength 8.6 Newton-metre

Pullout Values (Newton):

1.2mm G450 Stud: 2,320 | 1.5mm G450 Purlin: 4,280 | 1.9mm G450 Purlin: 5,820 | 2.4mm G450 Purlin 7,680 |
 | 3.2 mm G450 Purlin: 9,300 | 5.0 mm HRS: tba

All values are averages obtained under laboratory conditions and appropriate safety factors should be applied for design purposes. These figures are applicable to Buildex® head marked product only.

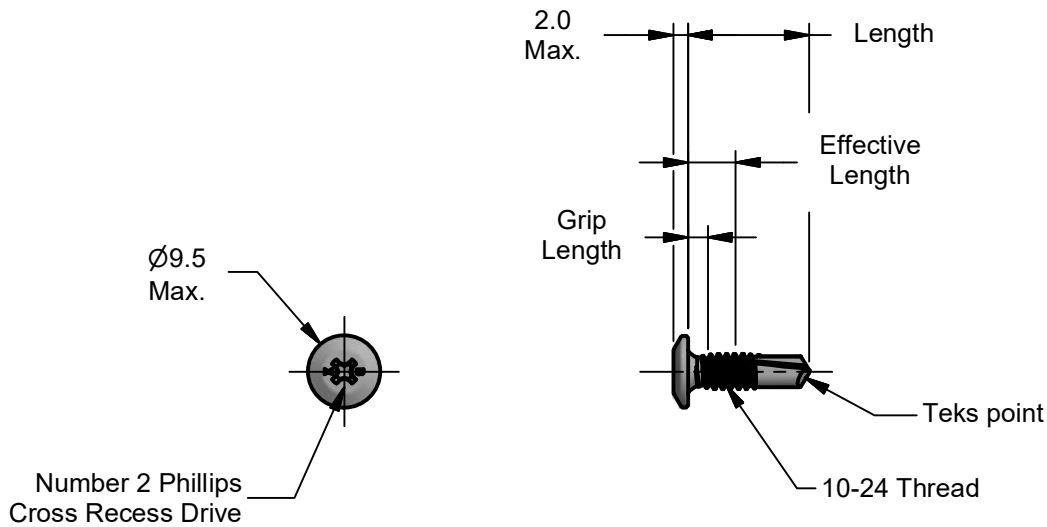
Material: Carbon Steel SAE 1022 | **Heat Treatment:** To AS 3566.1 | **Finish:** Climaseal 3®

Corrosion Performance:

Climaseal 3 Fasteners are suitable for use in Category 3 corrosive environments as described in ISO 9223-2012 and AS4312-2008

Product Technical Data Sheet

10-24 Wafer Head Full Thread Tek



Part Number	Description	Length	Grip Length	Effective Length
6-311-0021-3MP	10-24 x 16 Wafer Tek Climaseal 3	14.5 / 16.0	4.2 Max.	4.8 Min.
6-311-0025-6MP	10-24 x 22 Wafer Tek Climaseal 3	20.5 / 22.0	4.2 Max.	10.8 Min.
6-311-0312-9MP	10-24 x 40 Wafer Tek Climaseal 3	38.5 / 40.0	4.2 Max.	28.8 Min.

All dimensions nominal unless otherwise stated. Normal manufacturing tolerances apply. All dimensions in millimeters. Third Angle Projection. Scale Full Size

Buildex® Head Office
600 South Road
Moorabbin Victoria 3189
Australia

1300 368 101
CustomerService-MBN@buildex.com.au

Technical Help Desk
Technicalhelpdesk@buildex.com.au