

## Product Technical Data Sheet

### 14-10 Hex Head Part Threaded TekS

#### Application:

Buildex® 14-10 Hex Head TekS® are designed for crest pierce fixing roof and side cladding to steel purlins. Available either bare or with EDPM Sealing Washer.

In cyclonic regions the 14-10 Hex Head TekS® can be used with either the Roof-Lok® or Hi-Rib cyclone plates or MultiSeal® Washer.

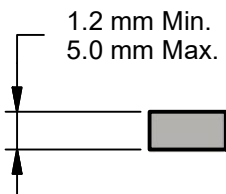
Features	Benefits
Hex Drive	For positive drive under high installation torque.
Teks Point	For drilling into steel while ensuring maximum pullout strength and a high strip torque.
Finish	Corrosion performance of Climaseal 4 or Climaseal 5
Colormatch	The 14-10 TekS and 14-10 Assemblies can be painted to match Colorbond sheeting products.

#### Installation Instructions:

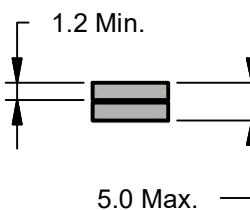
1. Use a 3/8" Hex Socket.
2. Use a mains powered or cordless screw driver with a drive speed of 3,000 RPM maximum.
3. Fit the driver bit into the screw and place at the fastening position.
4. Apply consistently firm pressure (end load) to the screw driver until the screw has fastened.

#### Drilling and Installing Capacity

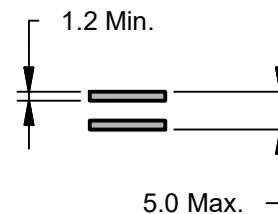
##### Single Thickness of Metal



##### Multiple Pieces of Metal



##### Multiple Pieces of Metal with Air Gap



#### Mechanical Properties:

Single Shear Strength (Newton) 10,900 | Axial Tensile (Newton) 19,700 | Torsion Strength 18.5 Newton-metre

#### Pullout Values (Newton):

Steel Purlin G450 1.2 mm: 2,600 | Steel Purlin G450 1.5 mm: 4,680 | Steel Purlin G450 1.9 mm: 6,500 | Steel Purlin G450 2.4 mm : 8,100 | Steel Purlin G450 3.0 mm : TBA | Steel HRS 2.0 mm : 5,300 | Steel HRS 3.0 mm : 9,900 | Steel HRS 4.0 mm : 11,200 | Steel HRS 5.0 mm : TBA

All values are averages obtained under laboratory conditions and appropriate safety factors should be applied for design purposes. These figures are applicable to Buildex® head marked product only.

**Material:** Carbon Steel SAE 1022 | **Heat Treatment:** To AS 3566.1 | **Finish:** Climaseal 4® or Climaseal 5®

#### Corrosion Performance:

Climaseal 5 Fasteners are suitable for use in Category 5,4 and 3 corrosive environments as described in ISO 9223-2012 and AS4312-2008

Climaseal 4 Fasteners are suitable for use in Category 4 and 3 corrosive environments as described in ISO 9223-2012 and AS4312-2008

#### Cyclonic Testing:

RoofLok and MultiSeal assemblies are tested and passed by the James Cook University Cyclone Testing Station to the Lo-Hi-Lo standard.

Part Number	Description	Pack Qty	Pallet Qty
6-311-3148-3C4	14-10 x 53 Hex Head Teks Climaseal 4	1000	72,000
6-311-3149-5C4	14-10 x 68 Hex Head Teks Climaseal 4	1000	60,000
6-311-3322-2C4	14-10x 78 Hex Head Teks Climaseal 4	500	42,000
6-311-3335-9C4	14-10 x 95 Hex Head Teks Climaseal 4	500	30,000
6-311-5148-7C5	14-10 x 53 Hex Head Teks Climaseal 5	1000	72,000

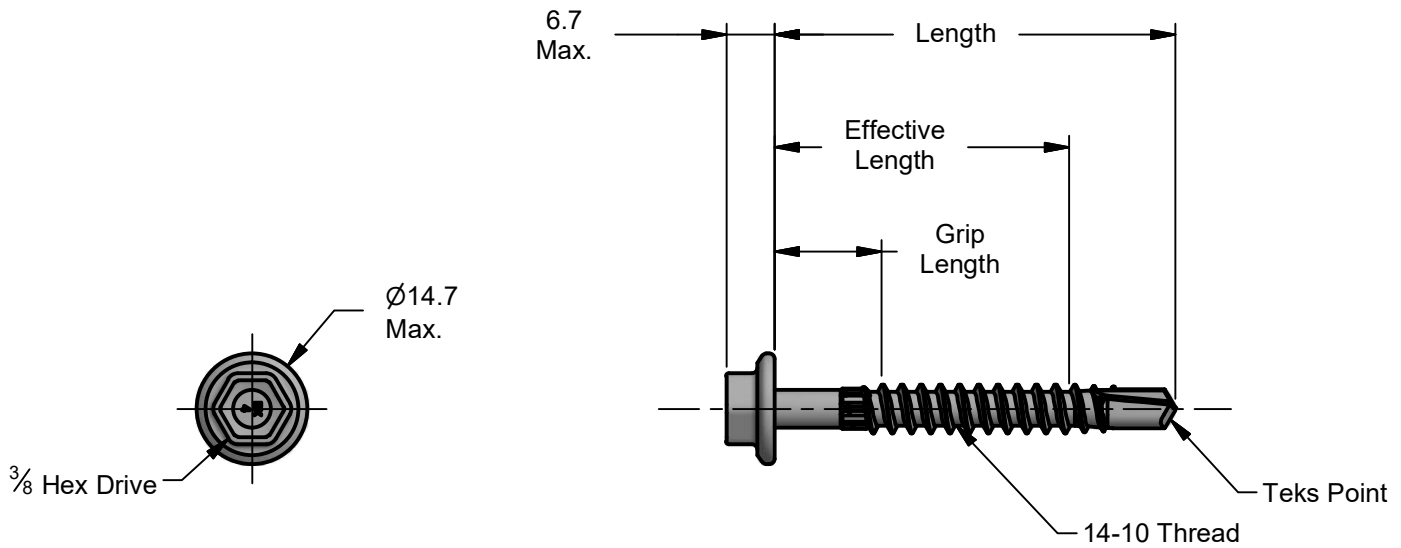
Part Number	Description	Pack Qty	Pallet Qty
6-310-3111-2C4	14-10 x 53 Hex Head Teks with Sea Climaseal 4	1000	72,000
6-310-3124-9C4	14-10 x 68 Hex Head Teks with Seal Climaseal 4	1000	60,000
6-310-3322-3C4	14-10 x 78 Hex Head Teks with Seal Climaseal 4	500	42,000
6-310-3335-2C4	14-10 x 95 Hex Head Teks with Seal Climaseal 4	500	30,000
6-310-5111-2C5	14-10 x 53.0 Hex Head Teks with Seal Climaseal 5	1000	72,000
6-310-5124-9C5	14-10 x 68.0 Hex Head Teks with Seal Climaseal 5	1000	60,000

Part Number	Description	Pack Qty	Pallet Qty
6-315-3148-8C4	14-10 x 53 Hex Head Teks with Roof-Lok Climaseal 4	250	21,000
6-315-3149-5C4	14-10 x 68 Hex Head Teks with Roof-Lok Climaseal 4	250	18,000
6-315-3322-2C4	14-10 x 78 Hex Head Teks with Roof-Lok Climaseal 4	200	16,800
6-315-3335-9C4	14-10 x 95 Hex Head Teks with Roof-Lok Climaseal 4	200	12,000
6-315-5148-8C5	14-10 x 53 Hex Head Teks with Roof-Lok Climaseal 5	250	21,000
6-315-5149-5C4	14-10 x 68 Hex Head Teks with Roof-Lok Climaseal 5	250	18,000

Part Number	Description	Pack Qty	Pallet Qty
6-310-3150-2C4	14-10 x 53 Hex Head Teks with MultiSeal Climaseal 4	250	26,250
6-310-3167-1C4	14-10 x 68 Hex Head Teks with MultiSeal Climaseal 4	250	26,250
6-310-3341-8C4	14-10 x 78 Hex Head Teks with MultiSeal Climaseal 4	250	26,250
6-310-3502-2C4	14-10 x 95 Hex Head Teks with MultiSeal Climaseal 4	200	21,000
6-310-5150-2C5	14-10 x 53 Hex Head Teks with MultiSealk Climaseal 5	250	26,250
6-316-5149-5C54	14-10 x 68 Hex Head Teks with MultiSeal Climaseal 5	250	26,250

## Product Technical Data Sheet

### 14-10 Hex Head Part Threaded Tekes

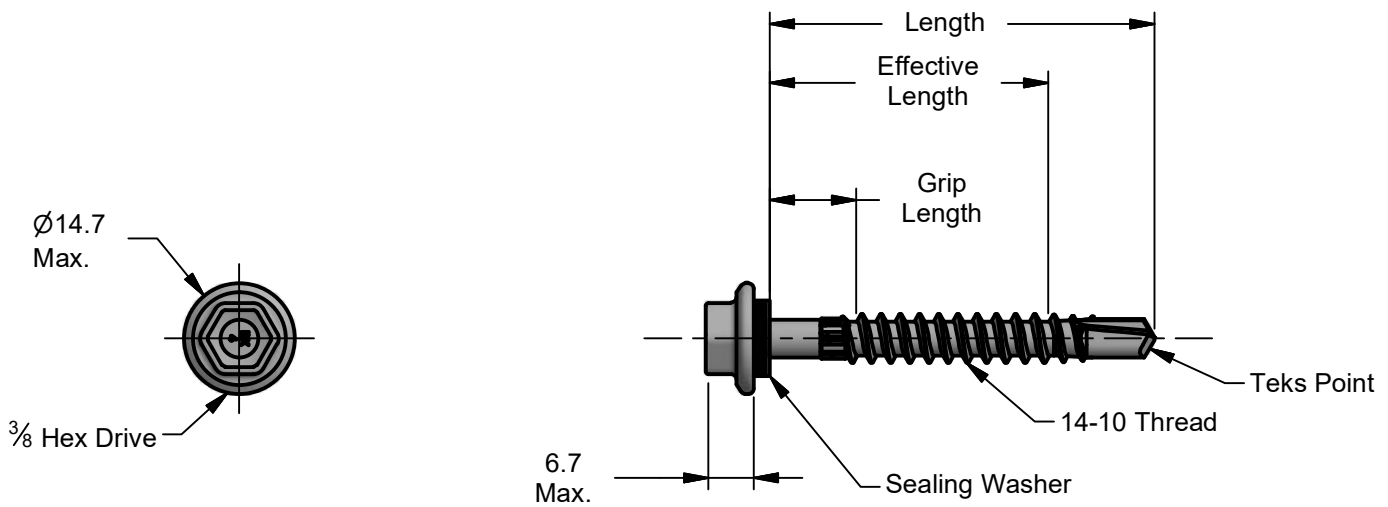


Part Number	Description	Length	Grip Length	Effective Length
6-311-3148-3C4	14-10 x 53 Hex Head Tekes Climaseal 4	51.5 / 53.0	13.0 Max.	35.0 Min.
6-311-3149-5C4	14-10 x 68 Hex Head Tekes Climaseal 4	66.5 / 68.0	28.0 / 30.0	50.0 Min
6-311-3322-2C4	14-10x 78 Hex Head Tekes Climaseal 4	76.5 / 78.0	40.0 / 42.0	60.0 Min.
6-311-3335-9C4	14-10 x 95 Hex Head Tekes Climaseal 4	93.5 / 95.0	45.5 / 47.5	77.5 Min.
6-311-5148-7C5	14-10 x 53 Hex Head Tekes Climaseal 5	51.5 / 53.0	11.75 Max.	38.75 Min.

All dimensions nominal unless otherwise stated. Normal manufacturing tolerances apply. All dimensions in millimeters. Third Angle Projection. Scale: Full size

## Product Technical Data Sheet

### 14-10 Hex Head Part Threaded Tekes



**Note**

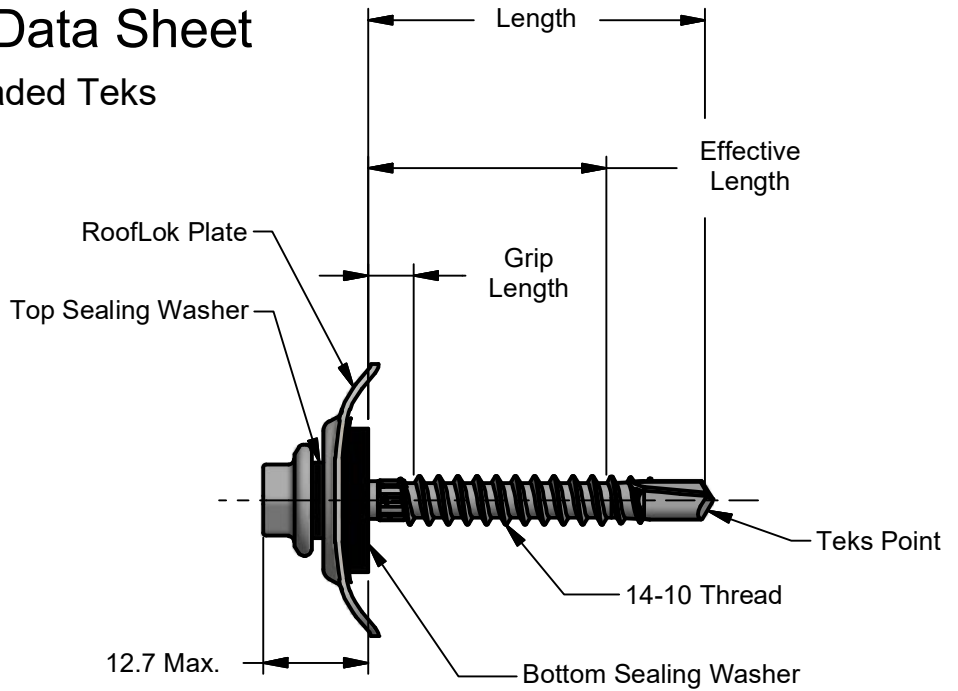
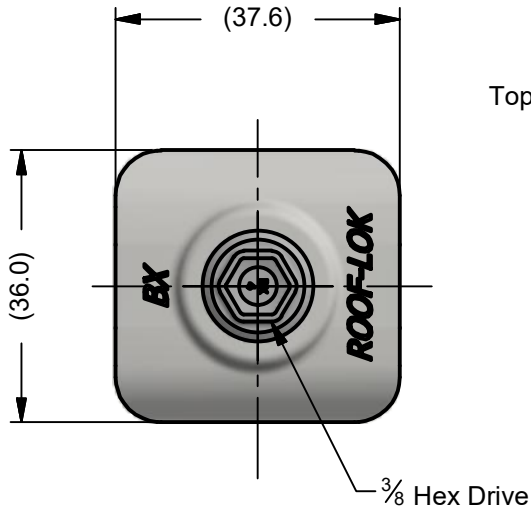
Lengths from underside of sealing washer and includes compression.

Part Number	Description	Length	Grip Length	Effective Length
6-310-3111-2C4	14-10 x 53 Hex Head Tekes with Sea Climaseal 4	51.0 / 52.5	12.5 Max.	34.5 Min.
6-310-3124-9C4	14-10 x 68 Hex Head Tekes with Seal Climaseal 4	66.0 / 67.5	27.5 / 29.5	49.5 Min
6-310-3322-3C4	14-10 x 78 Hex Head Tekes with Seal Climaseal 4	76.0 / 77.5	39.5 / 41.5	59.5 Min
6-310-3335-2C4	14-10 x 95 Hex Head Tekes with Seal Climaseal 4	93.0 / 94.5	45.0 / 47.0	77.0 Min
6-310-5111-2C5	14-10 x 53.0 Hex Head Tekes with Seal Climaseal 5	51.0 / 52.5	12.5 Max.	34.5 Min.
6-310-5124-9C5	14-10 x 68.0 Hex Head Tekes with Seal Climaseal 5	66.0 / 67.5	27.5 / 29.5	49.5 Min.

All dimensions nominal unless otherwise stated. Normal manufacturing tolerances apply. All dimensions in millimeters. Third Angle Projection. Scale: Full size

## Product Technical Data Sheet

### 14-10 Hex Head Part Threaded Tekes



**Note**  
Lengths from underside of sealing washer and includes compression.

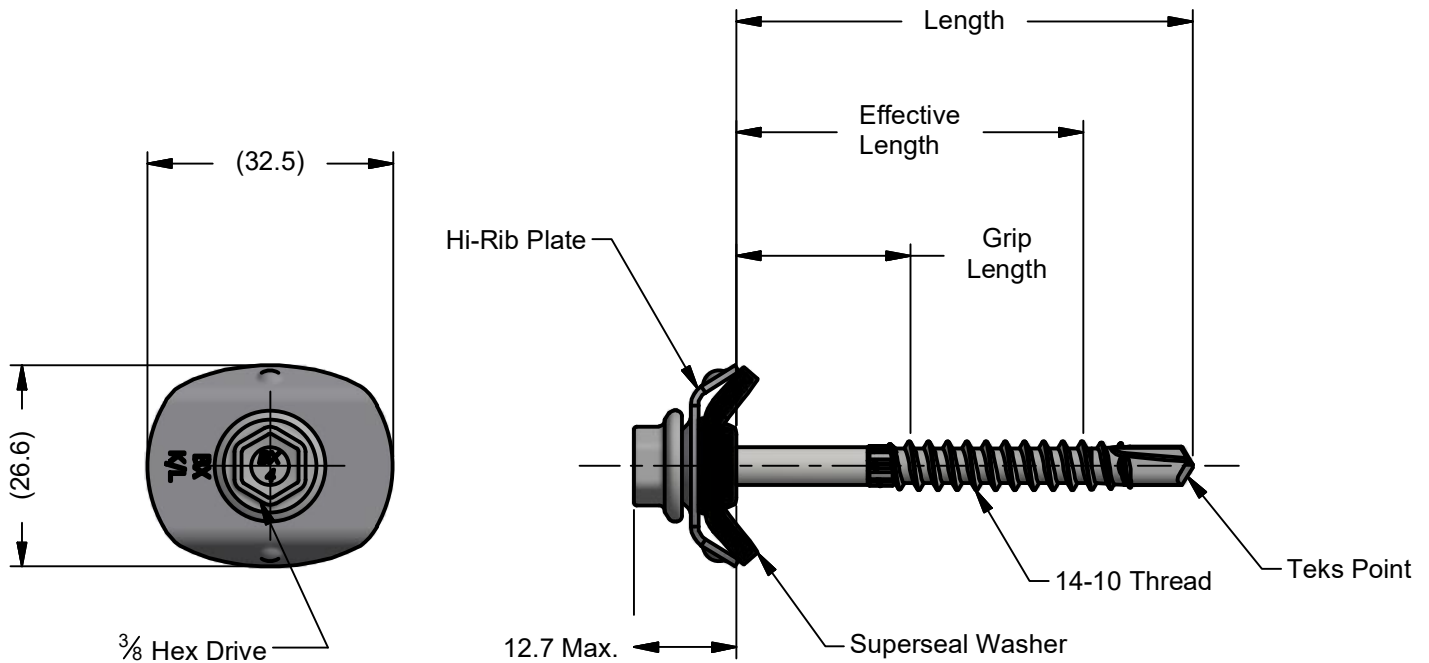
Part Number	Description	Length	Grip Length	Effective Length
6-315-3148-8C4	14-10 x 53 Hex Head Tekes with Roof-Lok Climaseal 4	45.5 / 47.0	7.0 Max.	29.0 Min.
6-315-3149-5C4	14-10 x 68 Hex Head Tekes with Roof-Lok Climaseal 4	60.5 / 62.0	22.0 / 24.0	44.0 Min.
6-315-3322-2C4	14-10 x 78 Hex Head Tekes with Roof-Lok Climaseal 4	70.5 / 72.0	34.0 / 36.0	54.0 Min.
6-315-3335-9C4	14-10 x 95 Hex Head Tekes with Roof-Lok Climaseal 4	87.5 / 89.0	39.5 / 41.5	71.5 Min.
6-315-5148-8C5	14-10 x 53 Hex Head Tekes with Roof-Lok Climaseal 5	45.5 / 47.0	7.0 Max.	29.0 Min.
6-315-5149-5C4	14-10 x 68 Hex Head Tekes with Roof-Lok Climaseal 5	60.5 / 62.0	22.0 / 24.0	44.0 Min.

All dimensions nominal unless otherwise stated. Normal manufacturing tolerances apply. All dimensions in millimeters. Third Angle Projection. Scale: Full size

## Product Technical Data Sheet

### 14-10 Hex Head Part Threaded Tekes

Part Number	Description	Pack Qty	Pallet Qty
6-310-3108-2C4	14-10 x 68 Hex Head Tekes with Hi-Rib Climaseal 4	250	21,000
6-310-3351-2C4	14-10 x 78 Hex Head Tekes with Hi-Rib Climaseal 4	200	16,800
6-310-3501-4C4	14-10 x 95 Hex Head Tekes with Hi-Rib Climaseal 4	200	14,400



**Note**

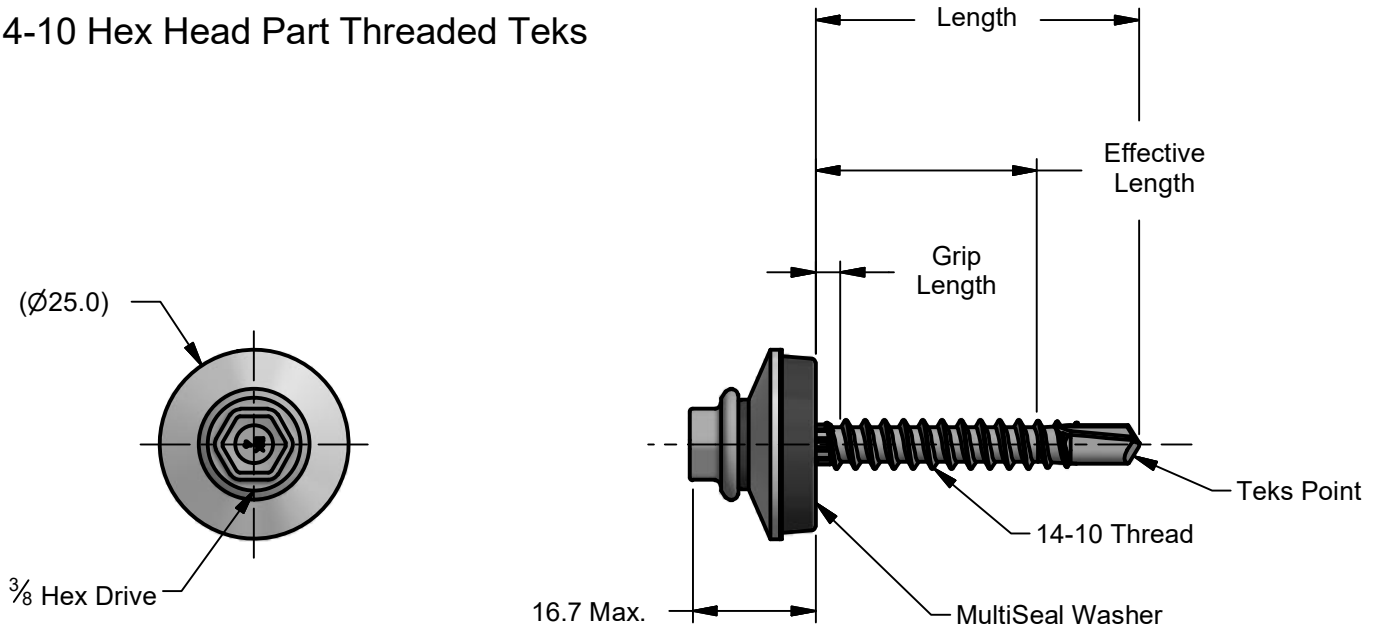
Lengths from underside of sealing washer and includes compression.

Part Number	Description	Length	Grip Length	Effective Length
6-310-3108-2C4	14-10 x 68 Hex Head Tekes with Hi-Rib Climaseal 4	60.5 / 62.0	22.0 / 24.0	44.0 Min
6-310-3351-2C4	14-10 x 78 Hex Head Tekes with Hi-Rib Climaseal 4	70.5 / 72.0	34.0 / 36.0	54.0 Min
6-310-3501-4C4	14-10 x 95 Hex Head Tekes with Hi-Rib Climaseal 4	87.5 / 89.0	39.5 / 41.5	71.5 Min

All dimensions nominal unless otherwise stated. Normal manufacturing tolerances apply. All dimensions in millimeters. Third Angle Projection. Scale: Full size

## Product Technical Data Sheet

### 14-10 Hex Head Part Threaded Tekes



**Note**

Lengths from underside of sealing washer and includes compression.

Part Number	Description	Length	Grip Length	Effective Length
6-310-3150-2C4	14-10 x 53 Hex Head Tekes with MultiSeal Climaseal 4	41.5 / 43.0	10.0 Max.	28.0 Min.
6-310-3167-1C4	14-10 x 68 Hex Head Tekes with MultiSeal Climaseal 4	56.5 / 58.0	18.0 / 20.0	40.0 Min
6-310-3341-8C4	14-10 x 78 Hex Head Tekes with MultiSeal Climaseal 4	66.0 / 67.5	30.0 / 32.0	50.0 Min
6-310-3502-2C4	14-10 x 95 Hex Head Tekes with MultiSeal Climaseal 4	83.5 / 85.0	35.5 / 37.5	67.5 Min.
6-310-5150-2C5	14-10 x 53 Hex Head Tekes with MultiSeal Climaseal 5	41.5 / 43.0	10.0 Max.	28.0 Min.
6-316-5149-5C54	14-10 x 68 Hex Head Tekes with MultiSeal Climaseal 5	56.5 / 58.0	18.0 / 20.0	40.0 Min

All dimensions nominal unless otherwise stated. Normal manufacturing tolerances apply. All dimensions in millimeters. Third Angle Projection. Scale: Full size

Buildex® Head Office  
 600 South Road  
 Moorabbin Victoria 3189  
 Australia

1300 368 101  
 CustomerService-MBN@buildex.com.au

Technical Help Desk  
 Technicalhelpdesk@buildex.com.au