

Product Technical Data Sheet

14-10 Hex Head Full Thread TekS Climaseal 4 and 5

| Part Number | Description | Pack Qty | Pallet Qty |
|----------------|--|------------|------------|
| 6-311-5323-3C5 | 14-10 X 25 Hex Head TekS Climaseal 5 | 500 / 1500 | 108,000 |
| 6-311-3323-8C4 | 14-10 x 25 Hex Head TekS Climaseal 4 | 500 / 1500 | 108,000 |
| 6-310-3323-5C4 | 14-10 x 25 Hex Head TekS with Seal Climaseal 4 | 500 / 1500 | 108,000 |
| 6-310-5323-3C5 | 14-10 x 25 Hex Head TekS with Seal Climaseal 5 | 500 / 1500 | 108,000 |

Application:

Buildex® 14-10 Hex Head TekS® Screws are used for valley fixing roof or side to steel or fixing metal to metal.

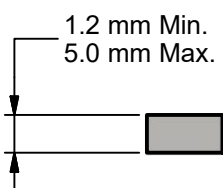
| Features | Benefits |
|------------|--|
| Hex Drive | For positive drive under high installation torque. |
| Teks Point | For drilling into metal while ensuring maximum pullout strength and high strip torque. |
| Finish | Corrosion performance of Climaseal 4 or Climaseal 5 to suit the application. |
| Colormatch | The 14-10 TekS can be painted to match Colorbond sheeting products. |

Installation Instructions:

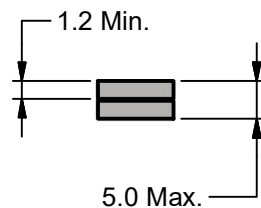
1. Use a $\frac{3}{8}$ Hex Head Driver Bit.
2. Use a mains powered or cordless screw driver with a 3,000 RPM maximum.
3. Fit the driver bit into the screw and place at the fastening position.
4. Apply consistently firm pressure (end load) to the screw driver until the screw has fastened.

Drilling and Installing Capacity

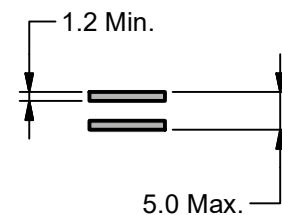
Single Thickness of Metal



Multiple Pieces of Metal



Multiple Pieces of Metal with Air Gap



Mechanical Properties:

Single Shear Strength (Newton) 10,900 | Axial Tensile (Newton) 19,700 | Torsion Strength 18.5 Newton-metre

Pullout Values (Newton):

Steel Purlin G450 1.2 mm: 2,600 | Steel Purlin G450 1.5 mm: 4,680 | Steel Purlin G450 1.9 mm: 6,500 | Steel Purlin G450 2.4 mm : 8,100 | Steel Purlin G450 3.0 mm : TBA | Steel HRS 2.0 mm : 5,300 | Steel HRS 3.0 mm : 9,900 | Steel HRS 4.0 mm : 11,200 | Steel HRS 5.0 mm : TBA

All values are averages obtained under laboratory conditions and appropriate safety factors should be applied for design purposes. These figures are applicable to Buildex® head marked product only.

Material: Carbon Steel SAE 1022 | **Heat Treatment:** To AS 3566.1 | **Finish:** Climaseal 4® or Climaseal 5®

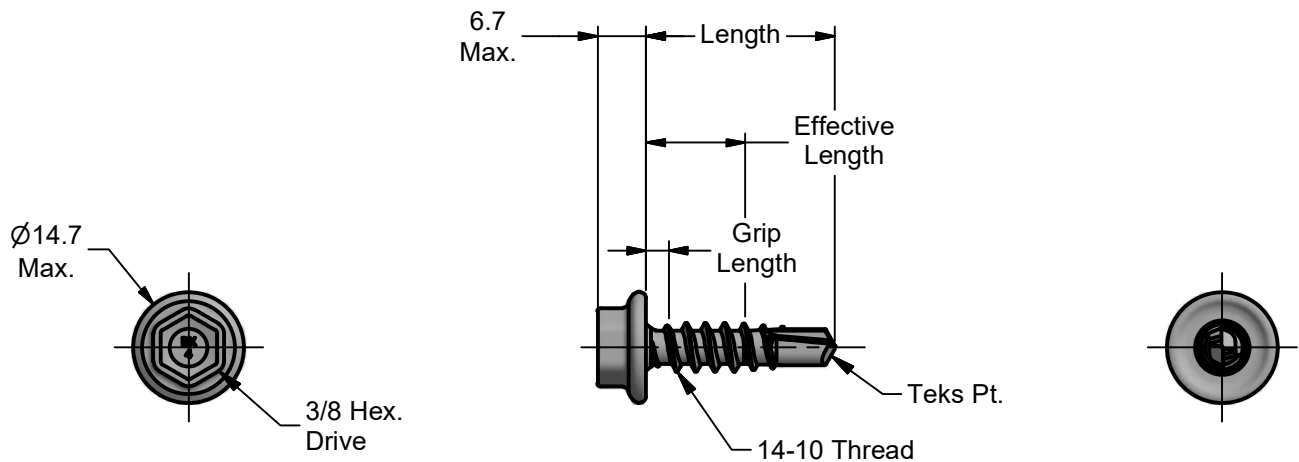
Corrosion Performance:

Climaseal 5 Fasteners are suitable for use in Category 5,4 and 3 corrosive environments as described in ISO 9223-2012 and AS4312-2008

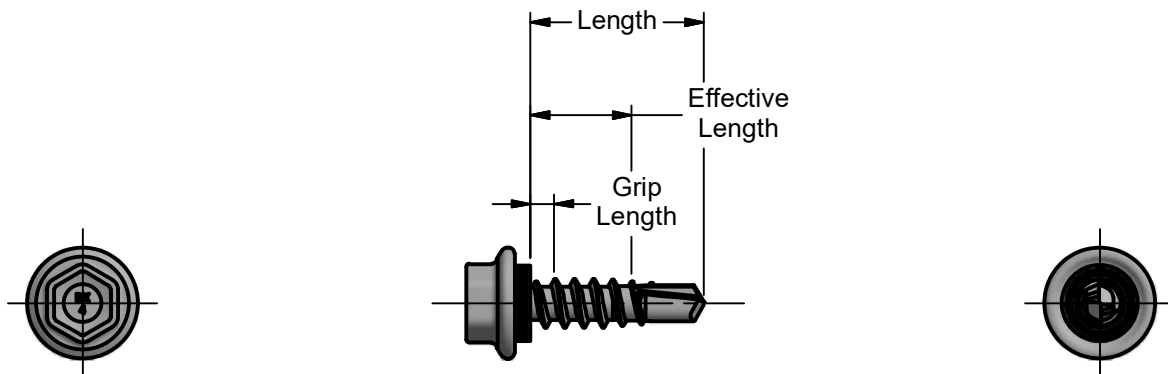
Climaseal 4 Fasteners are suitable for use in Category 4 and 3 corrosive environments as described in ISO 9223-2012 and AS4312-2008

Product Technical Data Sheet

14-10 Hex Head Full Thread Tekes Climaseal 4 and 5



| Part Number | Description | Length | Grip Length | Effective Length |
|----------------|---------------------------------------|-------------|-------------|------------------|
| 6-311-3323-1C4 | 14-10 X 25 Hex Head Tekes Climaseal 4 | 23.5 / 25.0 | 4.0 Max. | 7.0 Min. |
| 6-311-5323-3C5 | 14-10 X 25 Hex Head Tekes Climaseal 5 | 23.5 / 25.0 | 4.0 Max. | 7.0 Min. |



Note
Lengths from underside of sealing washer and includes compression.

| Part Number | Description | Length | Grip Length | Effective Length |
|----------------|---|-------------|-------------|------------------|
| 6-310-3323-5C4 | 14-10 x 25 Hex Head Tekes with Seal Climaseal 4 | 23.0 / 24.5 | 3.5 Max. | 6.5 Min. |
| 6-310-5323-3C5 | 14-10 x 25 Hex Head Tekes with Seal Climaseal 5 | 23.0 / 24.5 | 3.5 Max. | 6.5 Min. |

All dimensions nominal unless otherwise stated. Normal manufacturing tolerances apply. All dimensions in millimeters.

Third Angle Projection. Scale: Full Size

Buildex® Head Office
600 South Road
Moorabbin Victoria 3189
Australia

1300 368 101
CustomerService-MBN@buildex.com.au

Technical Help Desk
Technicalhelpdesk@buildex.com.au