

Product Technical Data Sheet

14 -14 Hex Head Fibreglass Tekes and 14-14 Hex Head Poly Tekes

Part Number	Description	Pack Qty	Pallet Qty
6-310-0607-7CS	14-14 x 65.0 Hex Head Fibreglass Tekes Weather Lok Washer Climaseal 3	500	24,000
6-310-0626-6CS	14-14 x 83.0 Hex Head Fibreglass Tekes Weather Lok Washer Climaseal 3	250	18,000
1-310-0750-1CSBT	14-14 x 65.0 Hex Head Poly Tekes with 26mm EPDM Washer Climaseal 3	200	21,600
1-310-0751-1CSBT	14-14 x 50.0 Hex Head Poly Tekes with 26mm EPDM Washer Climaseal 3	250	27,000

Application:

Buildex® 14-14 Fibreglass Tekes® Roofing Screws are designed for crest fixing fibreglass roof sheets to steel purlins. Typical application is commercial building skylights.

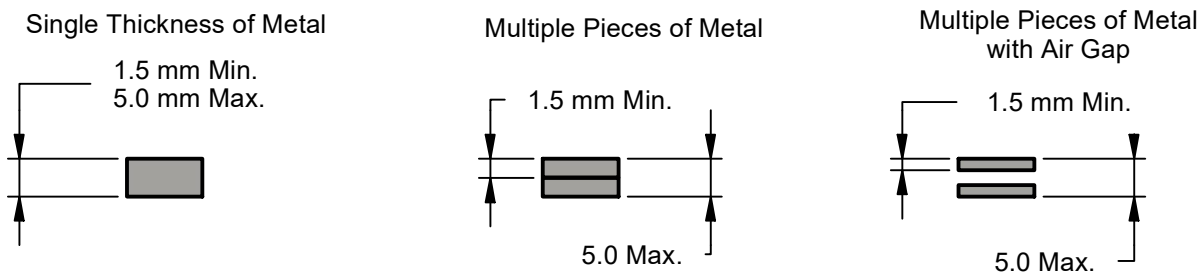
Buildex® 14-14 Poly Tekes® Roofing Screws are designed for crest fixing polycarbonate roof sheets to steel purlins. Typical applications are pergolas, outdoor entertainment areas and skylights.

Features	Benefits
Hex Drive	For positive drive under high installation torque.
Tekes Point	For drilling into steel while ensuring maximum pullout strength and a high strip torque.
Wings	For drilling a clearance hole in the fibreglass cladding.
Finish	Corrosion performance of Climaseal 3.

Installation Instructions:

1. Use a 5/16" Hex Socket.
2. Use a mains powered or cordless screw driver with a drive speed of 3,000 RPM maximum.
3. Fit the driver bit onto the screw and place at the fastening position.
4. Apply consistently firm pressure (end load) to the screw driver until the screw has fastened.

Drilling and Installing Capacity



Mechanical Properties		
Single Shear Strength (N)	Axial Tensile Strength (N)	Torsional Strength (Nm)
11000	20500	19.6

Pullout Values (N)			
G450 Purlin 1.5mm	G450 Purlin 1.9mm	G450 Purlin 2.4mm	Box Section 1.0mm
3300	4000	7100	6025

All values are averages obtained under laboratory conditions and appropriate safety factors should be applied for design purposes. These figures are applicable to Buildex® head marked product only.

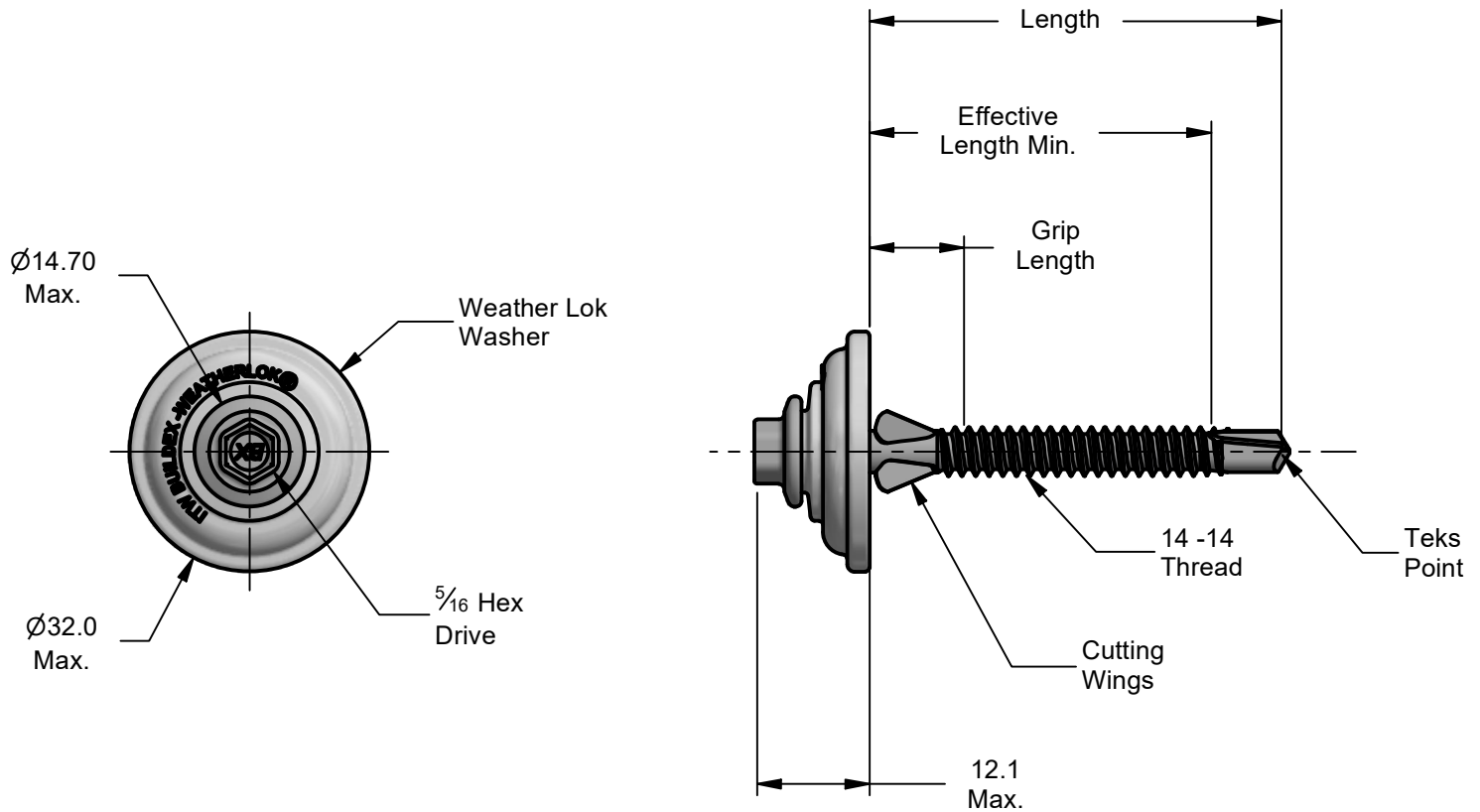
Material: Carbon Steel SAE 1022 | **Heat Treatment:** To AS 3566.1 | **Finish:** Climaseal 3®

Corrosion Performance:

Climaseal 3 Fasteners are suitable for use in Category 3 corrosive environments as described in ISO 9223-2012 and AS4312-2008

Product Technical Data Sheet

14 -14 Hex Head Fibreglass Teks and 14-14 Hex Head Poly Teks



Note

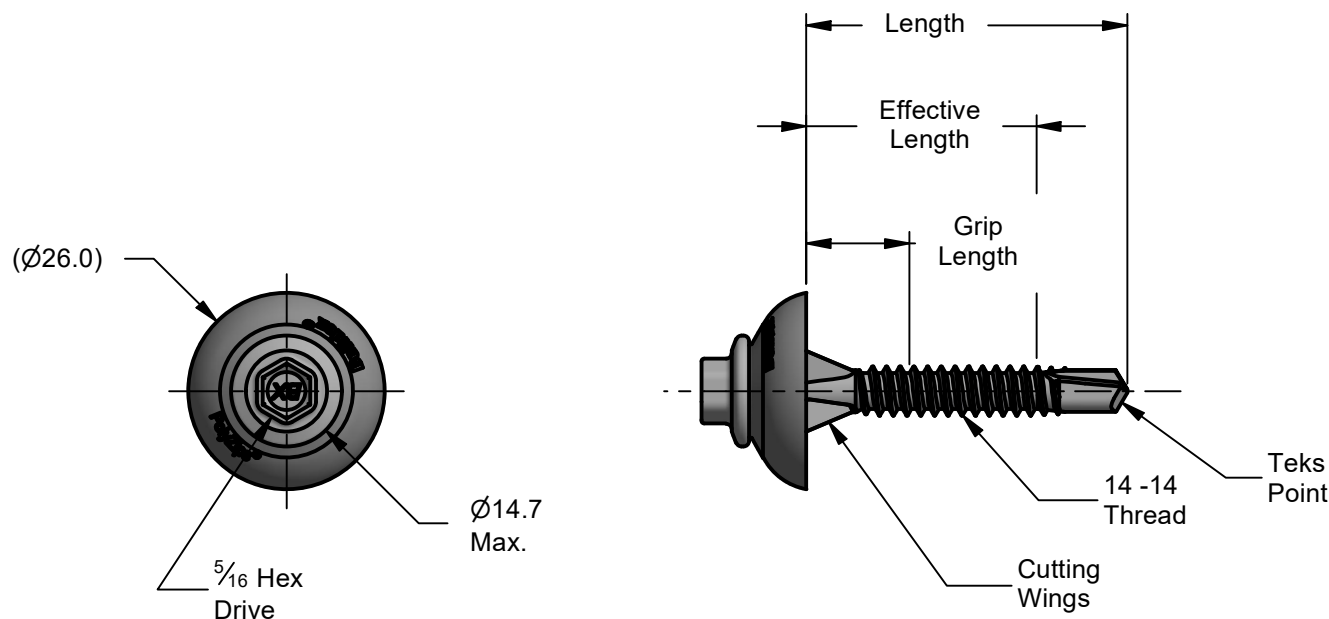
Lengths from underside of sealing washer and includes compression.

Part Number	Description	Length	Grip Length	Effective Length
6-310-0607-7CS	14-14 x 65.0 Hex Head Fibreglass Teks Weather Lok Washer Climaseal 3	57.5 / 59.0	17.0 / 19.0	43.5 Min.
6-310-0626-6CS	14-14 x 83.0 Hex Head Fibreglass Teks Weather Lok Washer Climaseal 3	75.5 / 77.0	17.0 / 19.0	61.0 Min.

All dimensions nominal unless otherwise stated. Normal manufacturing tolerances apply. All dimensions in millimeters. Third Angle Projection. Scale Full Size

Product Technical Data Sheet

14 -14 Hex Head Fibreglass Tekes and 14-14 Hex Head Poly Tekes



Note
Lengths from underside of sealing washer and includes compression.

Part Number	Description	Length	Grip Length	Effective Length
1-310-0751-1CSBT	14-14 x 50.0 Hex Head Poly Tekes with 26mm EPDM Washer Climaseal 3	43.0 / 44.5	13.0 / 15.0	23.5 Min.
1-310-0750-1CSBT	14-14 x 65.0 Hex Head Poly Tekes with 26mm EPDM Washer Climaseal 3	58.0 / 59.5	17.5 / 19.5	44.0 Min.

All dimensions nominal unless otherwise stated. Normal manufacturing tolerances apply. All dimensions in millimeters. Third Angle Projection. Scale Full Size

Buildex® Head Office
600 South Road
Moorabbin Victoria 3189
Australia

1300 368 101
CustomerService-MBN@buildex.com.au

Technical Help Desk
Technicalhelpdesk@buildex.com.au