

Product Technical Data Sheet

14-14 Hex Head Part Threaded TekS

Application:

Buildex® 14-14 Hex Head TekS® are designed for crest pierce fixing roof, side cladding and insulation roof and side panels to steel purlins. Available either bare or with EDPM Sealing Washer.

In cyclonic regions the 14-14 Hex Head TekS® can be used with either Roof-Lok® cyclone plates or MultiSeal® Washer.

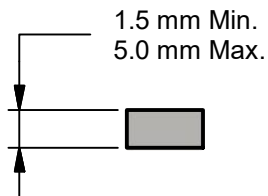
Features	Benefits
Hex Drive	For positive drive under high installation torque.
Teks Point	For drilling into steel while ensuring maximum pullout strength and a high strip torque.
Finish	Corrosion performance of Climaseal 4.
Colormatch	The 14-14 TekS and 14-14 Assemblies can be painted to match Colorbond sheeting products.

Installation Instructions:

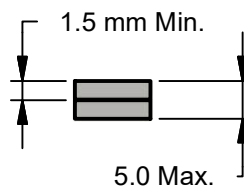
1. Use a 3/8" Hex Socket.
2. Use a mains powered or cordless screw driver with a drive speed of 3,000 RPM maximum.
3. Fit the driver bit into the screw and place at the fastening position.
4. Apply consistently firm pressure (end load) to the screw driver until the screw has fastened.

Drilling and Installing Capacity

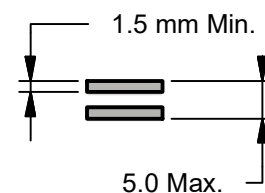
Single Thickness of Metal



Multiple Pieces of Metal



Multiple Pieces of Metal with Air Gap



Mechanical Properties:

Single Shear Strength (Newton) 10,900 | Axial Tensile (Newton) 19,700 | Torsion Strength 18.5 Newton-metre

Pullout Values (Newton):

Steel Purlin G450 1.5 mm : 3,300 | Steel Purlin G450 1.9 mm : 4,000 | Steel Purlin G450 2.4 mm : 7,100 | Steel Purlin G450 3.0 mm : 9,500 | Steel HRS 2.0 mm : tba | Steel HRS 3.0 mm : tba | Steel HRS 4.0 mm : tba | Steel HRS 5.0 mm : tba

All values are averages obtained under laboratory conditions and appropriate safety factors should be applied for design purposes. These figures are applicable to Buildex® head marked product only.

Material: Carbon Steel SAE 1022 | **Heat Treatment:** To AS 3566.1 | **Finish:** Climaseal 4®

Corrosion Performance:

Climaseal 4 Fasteners are suitable for use in Category 4 and 3 corrosive environments as described in ISO 9223-2012 and AS4312-2008

Cyclonic Testing:

RoofLok and Multiseal assemblies are tested and passed by the James Cook University Cyclone Testing Station to the Lo-Hi-Lo standard.

Product Technical Data Sheet

14-14 Hex Head Part Threaded Tekes

14-14 Hex Head Tekes Bare Parts			
Part Number	Description	Pack Qty	Pallet Qty
6-311-3664-4C4	14-14 x 110 Hex Head Hi Grip Tekes Climaseal 4	250	21,000
6-311-3665-5C4	14-14 x 125 Hex Head Hi Grip Tekes Climaseal 4	250	21,000
6-311-3666-6C4	14-14 x 150 Hex Head Hi Grip Tekes Climaseal 4	250	21,000
6-311-3762-2C4	14-14 x 175 Hex Head Hi Grip Tekes Climaseal 4	250	21,000
6-311-3706-6C4	14-14 x 205 Hex Head Hi Grip Tekes Climaseal 4	250	
6-311-3669-9C4	14-14 x 230 Hex Head Hi Grip Tekes Climaseal 4	250	21,000

14-14 Hex Head Tekes with Seal			
Part Number	Description	Pack Qty	Pallet Qty
6-310-3664-4C4	14-14 x 110 Hex Head Tekes with Seal Climaseal 4	250	21,000
6-310-3665-5C4	14-14 x 125 Hex Head Tekes with Seal Climaseal 4	250	21,000
6-310-3666-6C4	14-14 x 150 Hex Head Tekes with Seal Climaseal 4	250	21,000
6-310-3762-2C4	14-14 x 175 Hex Head Tekes with Seal Climaseal 4	250	21,000
6-310-3706-6C4	14-14 x 205 Hex Head Tekes with Seal Climaseal 4	250	21,000
6-310-3669-9C4	14-14 x 230 Hex Head Tekes with Seal Climaseal 4	250	18,000

Product Technical Data Sheet

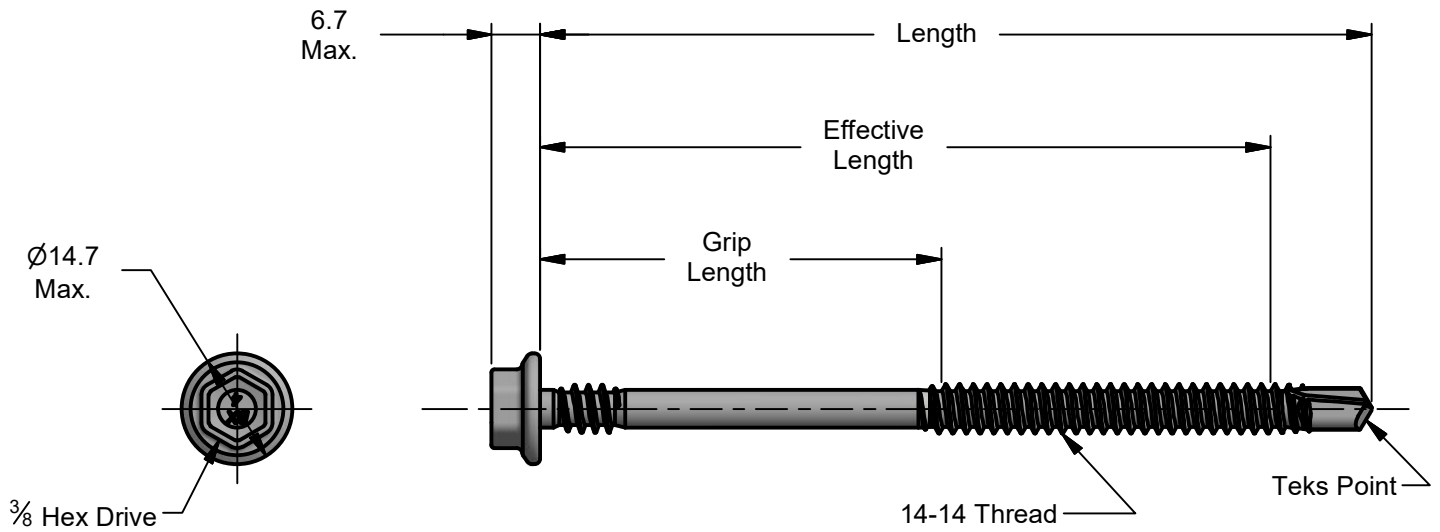
14-14 Hex Head Part Threaded Tekes

14-14 Hex Head Series Tekes with RoofLok			
Part Number	Description	Pack Qty	Pallet Qty
6-315-3664-4C4	14-14 x 110 Hex Head Tekes with Roof-Lok Climaseal 4	100	6,000
6-315-3665-5C4	14-14 x 125 Hex Head Tekes with Roof-Lok Climaseal 4	150	9,000
6-315-3666-6C4	14-14 x 150 Hex Head Tekes with Roof-Lok Climaseal 4	100	6,000
6-315-3762-2C4	14-14 x 175 Hex Head Tekes with Roof-Lok Climaseal 4	100	6,000
6-315-3706-6C4	14-14 x 205 Hex Head Tekes with Roof-Lok Climaseal 4	100	6,000
6-315-3699-9C4	14-14 x 230 Hex Head Tekes with Roof-Lok Climaseal 4	150	9,000

14-14 Hex Head Tekes with Multiseal			
Part Number	Description	Pack Qty	Pallet Qty
6-310-3715-5C4	14-14 x 110 Hex Head Tekes with MultiSeal Climaseal 4	150	9,000
6-310-3716-6C4	14-14 x 125 Hex Head Tekes with MultiSeal Climaseal 4	150	9,000
6-310-3777-7C4	14-14 x 175 Hex Head Tekes with MultiSeal Climaseal 4	150	9,000
6-310-3717-7C4	14-14 x 150 Hex Head Tekes with MultiSeal Climaseal 4	150	9,000
6-310-3714-4C4	14-14 x 205 Hex Head Tekes with MultiSeal Climaseal 4	150	9,000
6-310-3719-9C4	14-14 x 230 Hex Head Tekes with MultiSeal Climaseal 4	150	9,000

Product Technical Data Sheet

14-14 Hex Head Part Threaded Tekes

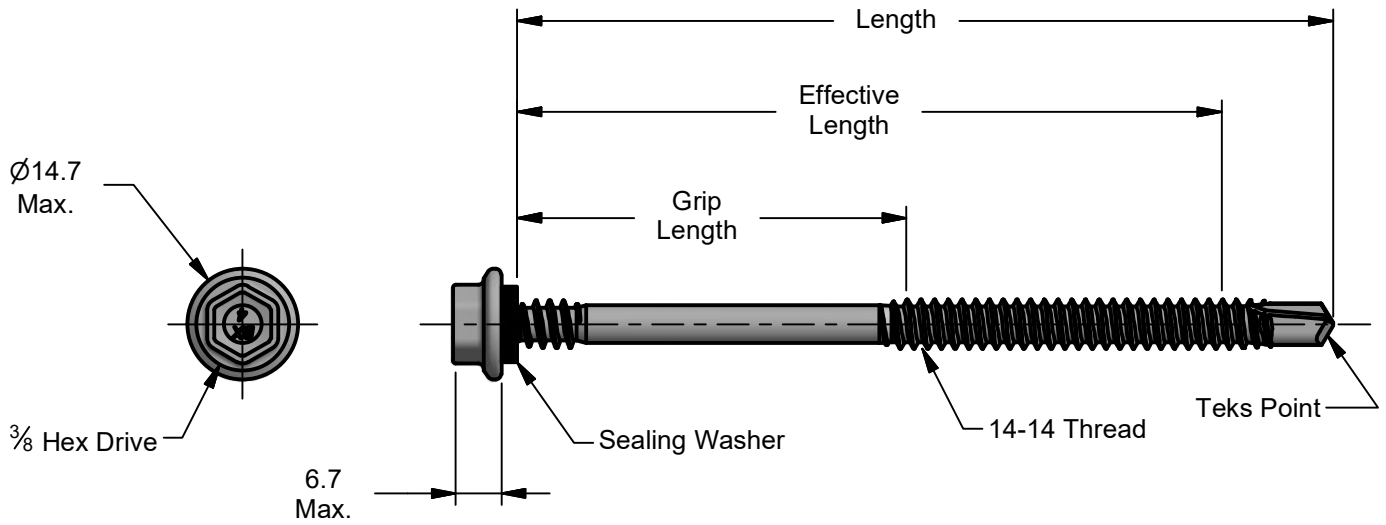


Part Number	Description	Length	Grip Length	Effective Length
6-311-3664-4C4	14-14 x 110 Hex Head Hi Grip Tekes Climaseal 4	108.5 / 110.0	52.0 / 54.0	94.5 Min.
6-311-3665-5C4	14-14 x 125 Hex Head Hi Grip Tekes Climaseal 4	123.5 / 125.0	67.0 / 69.0	109.5 Min.
6-311-3666-6C4	14-14 x 150 Hex Head Hi Grip Tekes Climaseal 4	148.5 / 150.0	92.0 / 94.0	134.5 Min.
6-311-3762-2C4	14-14 x 175 Hex Head Hi Grip Tekes Climaseal 4	173.5 / 175.0	105.0 / 107.0	159.5 Min.
6-311-3706-6C4	14-14 x 205 Hex Head Hi Grip Tekes Climaseal 4	203.5 / 205.0	125.0 / 127.0	189.5 Min.
6-311-3669-9C4	14-14 x 230 Hex Head Hi Grip Tekes Climaseal 4	228.5 / 230.0	172.0 / 174.0	214.5 Min.

All dimensions nominal unless otherwise stated. Normal manufacturing tolerances apply. All dimensions in millimeters. Third Angle Projection. Scale: Full Size.

Product Technical Data Sheet

14-14 Hex Head Part Threaded Tekes



Note

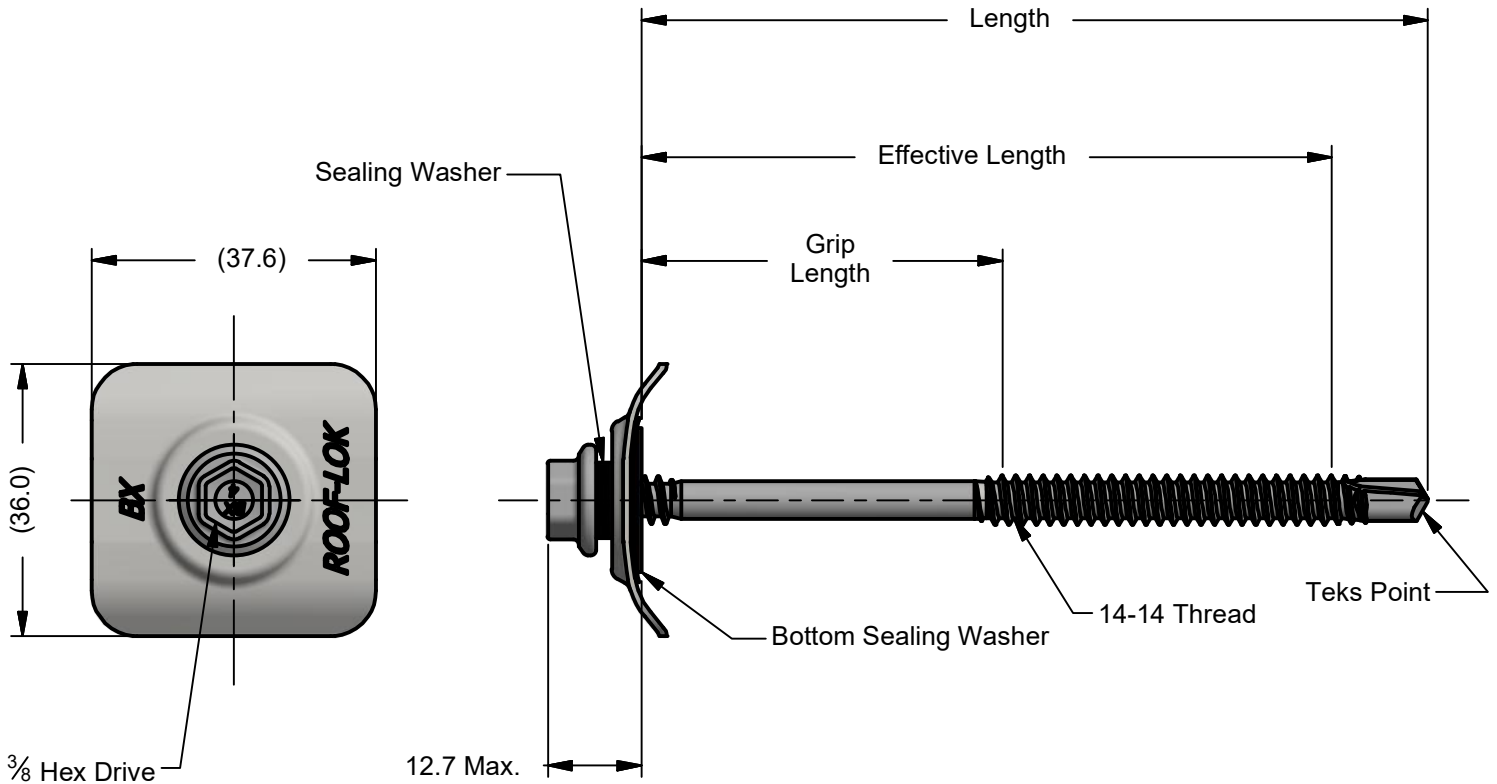
Lengths from underside of sealing washer and includes compression.

Part Number	Description	Length	Grip Length	Effective Length
6-310-3664-4C4	14-14 x 110 Hex Head Tekes with Seal Climaseal 4	108.0 / 109.5	53.0 / 54.5	94.0 Min.
6-310-3665-5C4	14-14 x 125 Hex Head Tekes with Seal Climaseal 4	123.0 / 122.5	68.0 / 69.5	109.0 Min.
6-310-3666-6C4	14-14 x 150 Hex Head Tekes with Seal Climaseal 4	148.0 / 149.5	93.0 / 94.5	134.0 Min.
6-310-3762-2C4	14-14 x 175 Hex Head Tekes with Seal Climaseal 4	173.0 / 174.5	106.0 / 107.5	159.0 Min.
6-310-3706-6C4	14-14 x 205 Hex Head Tekes with Seal Climaseal 4	203.0 / 202.5	126.0 / 127.5	189.0 Min.
6-310-3669-9C4	14-14 x 230 Hex Head Tekes with Seal Climaseal 4	228.0 / 229.5	171.5 / 173.5	214.0 Min.

All dimensions nominal unless otherwise stated. Normal manufacturing tolerances apply. All dimensions in millimeters. Third Angle Projection. Scale: Full Size.

Product Technical Data Sheet

14-14 Hex Head Part Threaded Tekes



Note

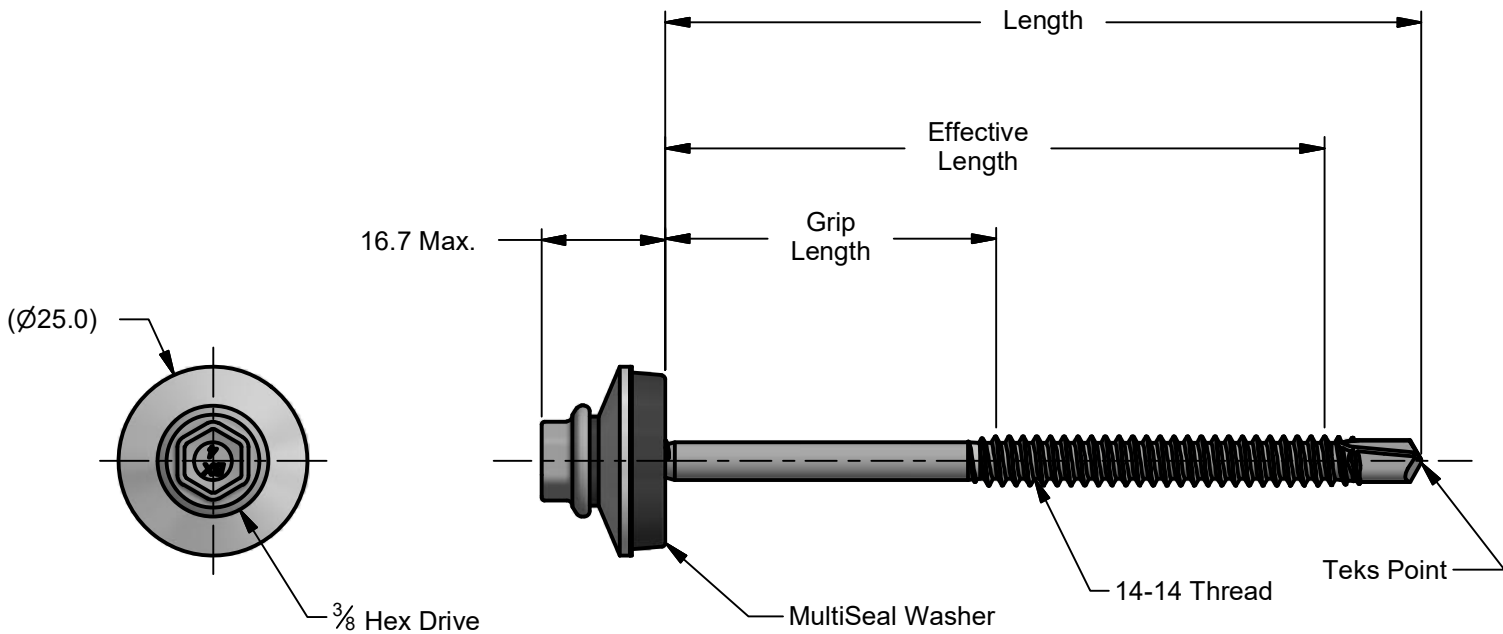
Lengths from underside of sealing washer and includes compression.

Part Number	Description	Length	Grip Length	Effective Length
6-315-3664-4C4	14-14 x 110 Hex Head Tekes with Roof-Lok Climaseal 4	102.5 / 104.0	46.0 / 52.0	88.5 Min.
6-315-3665-5C4	14-14 x 125 Hex Head Tekes with Roof-Lok Climaseal 4	117.5 / 119.0	61.0 / 63.0	103.5 Min.
6-315-3666-6C4	14-14 x 150 Hex Head Tekes with Roof-Lok Climaseal 4	142.5 / 144.0	86.0 / 88.0	128.5 Min.
6-315-3762-2C4	14-14 x 175 Hex Head Tekes with Roof-Lok Climaseal 4	167.5 / 169.0	99.0 / 105.0	153.5 Min.
6-315-3706-6C4	14-14 x 205 Hex Head Tekes with Roof-Lok Climaseal 4	197.5 / 199.0	119.0 / 121.0	183.5 Min.
6-315-3699-9C4	14-14 x 230 Hex Head Tekes with Roof-Lok Climaseal 4	222.5 / 224.0	166.0 / 168.0	208.5 Min.

All dimensions nominal unless otherwise stated. Normal manufacturing tolerances apply. All dimensions in millimeters. Third Angle Projection. Scale: Full Size.

Product Technical Data Sheet

14-14 Hex Head Part Threaded Tekes



Note

Lengths from underside of sealing washer and includes compression.

Part Number	Description	Length	Grip Length	Effective Length
6-310-3715-5C4	14-14 x 110 Hex Head Tekes with MultiSeal Climaseal 4	98.5 / 100.0	42.0 / 44.0	84.5 Min.
6-310-3716-6C4	14-14 x 125 Hex Head Tekes with MultiSeal Climaseal 4	108.5 / 110.0	52.0 / 54.0	94.5 Min.
6-310-3717-7C4	14-14 x 150 Hex Head Tekes with MultiSeal Climaseal 4	138.5 / 140.0	82.0 / 84.0	124.5 Min.
6-310-3777-7C4	14-14 x 175 Hex Head Tekes with MultiSeal Climaseal 4	163.5 / 165.0	95.0 / 97.0	149.5 Min.
6-310-3714-4C4	14-14 x 205 Hex Head Tekes with MultiSeal Climaseal 4	193.5 / 195.0	115.0 / 117.0	179.5 Min.
6-310-3719-9C4	14-14 x 230 Hex Head Tekes with MultiSeal Climaseal 4	218.5 / 220.0	162.0 / 164.0	204.5 Min.

All dimensions nominal unless otherwise stated. Normal manufacturing tolerances apply. All dimensions in millimeters. Third Angle Projection. Scale: Full Size.

Buildex® Head Office
600 South Road
Moorabbin Victoria 3189
Australia

1300 368 101
CustomerService-MBN@buildex.com.au

Technical Help Desk
Technicalhelpdesk@buildex.com.au