

## Product Technical Data Sheet

### 14-20 Hex Head Full Thread TekS Climaseal 4

Part Number	Description	Pack Qty	Pallet Qty
6-311-3038-5C4	14-20 x 22 Hex Head TekS Climaseal 4	500 / 1500	108,000
6-310-3029-2C4	14-20 x 22 Hex Head TekS with Seal Climaseal 4	500 / 1500	108,000

#### Application:

Buildex® 14-20 Hex Head TekS® Screws are used for fixing metal to metal.

Features	Benefits
Hex Drive	For positive drive under high installation torque.
TekS Point	For drilling into metal while ensuring maximum pullout strength and high strip torque.
Finish	Corrosion performance of Climaseal 4 to suit the application.

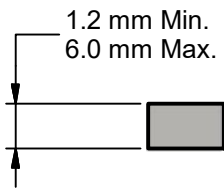
#### Installation Instructions:

1. Use a  $\frac{3}{8}$  Hex Head Driver Bit.
2. Use a mains powered or cordless screw driver with a 3,000 RPM maximum.
3. Fit the driver bit into the screw and place at the fastening position.
4. Apply consistently firm pressure (end load) to the screw driver until the screw has fastened.

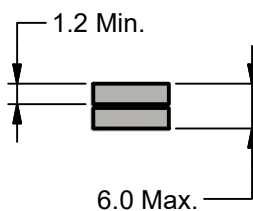
#### Drilling and Installing Capacity

Square Tube 3.0 mm Min. to 5.0 mm Max.

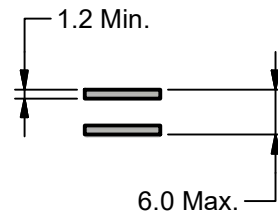
##### Single Thickness of Metal



##### Multiple Pieces of Metal



##### Multiple Pieces of Metal with Air Gap



#### Mechanical Properties:

Single Shear Strength (Newton) 11,200 | Axial Tensile (Newton) 21,200 | Torsion Strength 20,40 Newton-metre

#### Pullout Values (Newton):

Steel Purlin G450 1.2 mm: 2,100 | Steel Purlin G450 1.5 mm: 4,200 | Steel Purlin G450 1.9 mm: 5,700 | Steel Purlin G450 2.4 mm : 7,700 | Steel Purlin G450 3.0 mm : 9,600 | Steel HRS 6.0 mm : 22,200 (Screw Failed) | Square Steel Tube: 3.00 mm: 9,400 | Square Steel Tube: 4.00 mm: 14,900 | Square Steel Tube: 5.00 mm: 15,400

All values are averages obtained under laboratory conditions and appropriate safety factors should be applied for design purposes. These figures are applicable to Buildex® head marked product only.

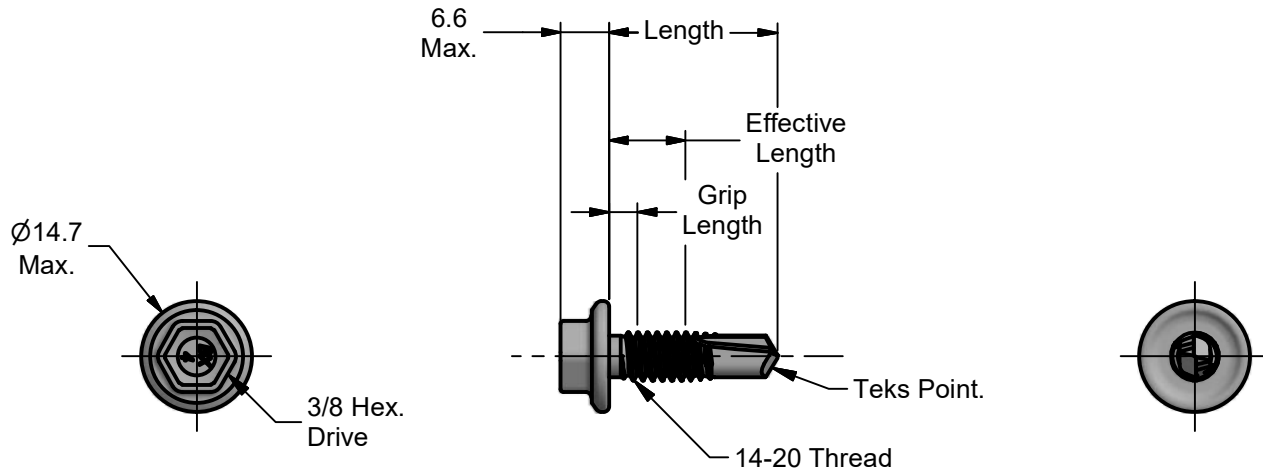
**Material:** Carbon Steel SAE 1022 | **Heat Treatment:** To AS 3566.1 | **Finish:** Climaseal 4®

#### Corrosion Performance:

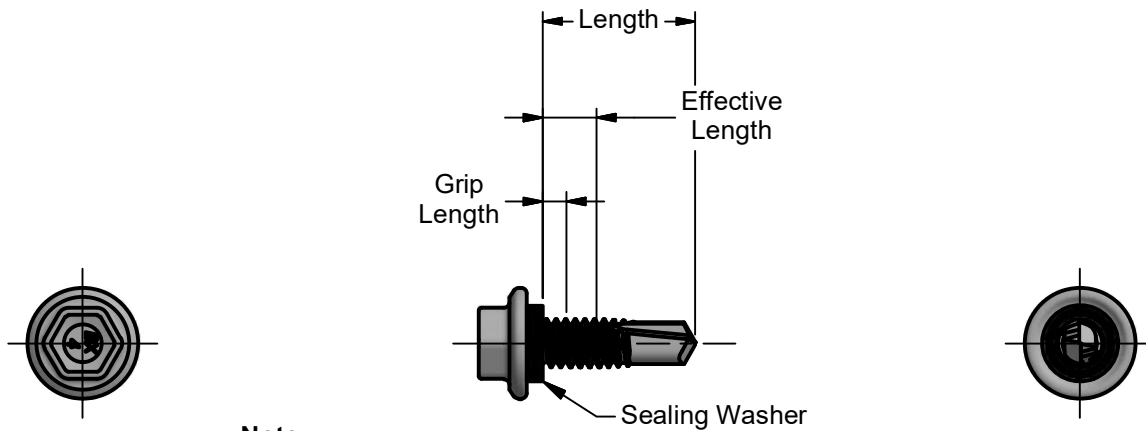
Climaseal 4 Fasteners are suitable for use in Category 4 and 3 corrosive environments as described in ISO 9223-2012 and AS4312-2008

## Product Technical Data Sheet

### 14-20 Hex Head Full Thread Tek's Climaseal 4



Part Number	Description	Length	Grip Length	Effective Length
6-311-3038-5C4	14-20 x 22 Hex Head Tek's Climaseal 4	20.5 / 22.0	2.5 Max.	7.5 Min.



**Note**  
Lengths from underside of sealing washer and includes compression.

Part Number	Description	Length	Grip Length	Effective Length
6-310-3029-2C4	14-20 x 22 Hex Head Tek's with Seal Climaseal 4	20.0 / 21.5		9.5 Min.

All dimensions nominal unless otherwise stated. Normal manufacturing tolerances apply. All dimensions in millimeters. Third Angle Projection. Scale: Full Size

Buildex® Head Office  
600 South Road  
Moorabbin Victoria 3189  
Australia  
1300 368 101  
CustomerService-MBN@buildex.com.au  
Technical Help Desk  
Technicalhelpdesk@buildex.com.au