

## Product Technical Data Sheet

### 14-20 Hex Head with 5/16 Drive TekS Climaseal 3

Part Number	Description	Pack Qty	Pallet Qty
6-311-0575-5CS	14-20 x 22 Hex Head 5/16 Drive TekS Climaseal 3	500 / 1500	108,000

#### Application:

Buildex® 14-20 Hex Head with a 5/16 hex drive TekS® Screws are used for fixing metal to metal without the need to swap driver bits when the product is used in conjunction with 10g and 12g screws.

Features	Benefits
Hex Drive	For positive drive under high installation torque.
5/16 Hex Drive	Compatible with 10g and 12g Hex Heads avoiding the need to swap driver bits.
TekS Point	For drilling into metal while ensuring maximum pullout strength and high strip torque.
Finish	Corrosion performance of Climaseal 3 to suit the application.

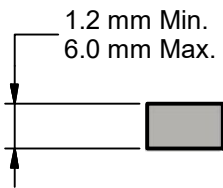
#### Installation Instructions:

1. Use a 5/16" Hex Socket.
2. Use a mains powered or cordless screw driver with a drive speed of 3,000 RPM maximum.
3. Fit the driver bit into the screw and place at the fastening position.
4. Apply consistently firm pressure (end load) to the screw driver until the screw has fastened.

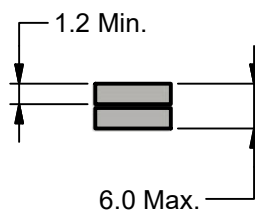
#### Drilling and Installing Capacity

Square Tube 3.0 mm Min. to 5.0 mm Max.

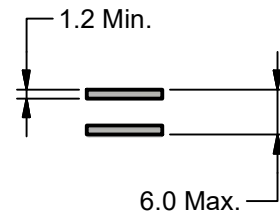
##### Single Thickness of Metal



##### Multiple Pieces of Metal



##### Multiple Pieces of Metal with Air Gap



#### Mechanical Properties:

Single Shear Strength (Newton) 11,200 | Axial Tensile (Newton) 21,200 | Torsion Strength 20,40 Newton-metre

#### Pullout Values (Newton):

Steel Purlin G450 1.2 mm: 2,100 | Steel Purlin G450 1.5 mm: 4,200 | Steel Purlin G450 1.9 mm: 5,700 | Steel Purlin G450 2.4 mm : 7,700 | Steel Purlin G450 3.0 mm : 9,600 | Steel HRS 6.0 mm : 22,200 (Screw Failed) | Square Steel Tube: 3.00 mm: 9,400 | Square Steel Tube: 4.00 mm: 14,900 | Square Steel Tube: 5.00 mm: 15,400

All values are averages obtained under laboratory conditions and appropriate safety factors should be applied for design purposes. These figures are applicable to Buildex® head marked product only.

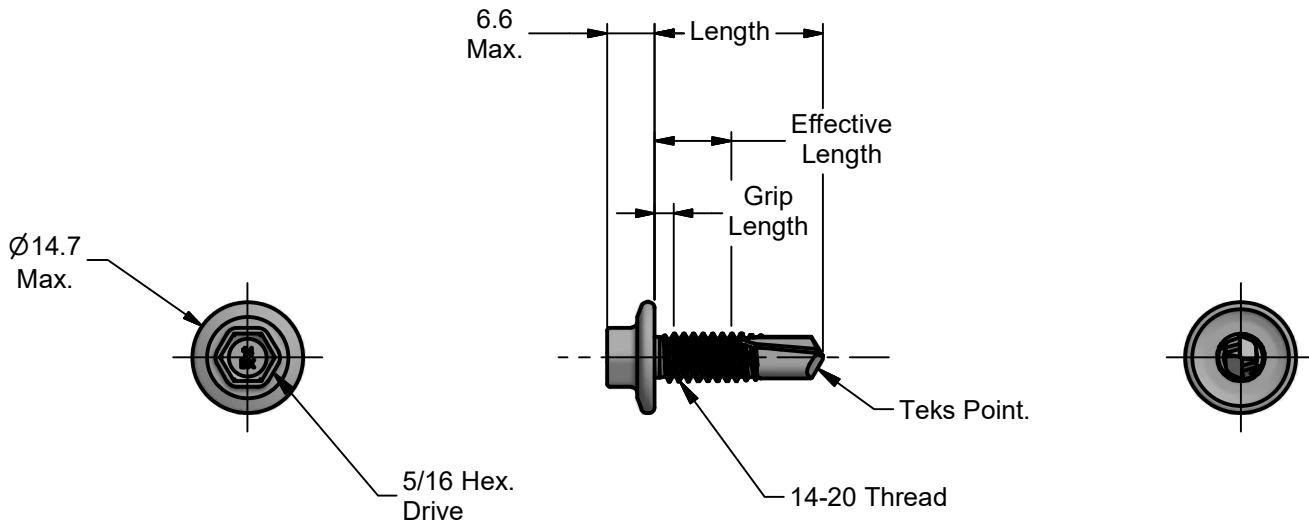
**Material:** Carbon Steel SAE 1022 | **Heat Treatment:** To AS 3566.1 | **Finish:** Climaseal 3®

#### Corrosion Performance:

Climaseal 3 Fasteners are suitable for use in Category 3 corrosive environments as described in ISO 9223-2012 and AS4312-2008

## Product Technical Data Sheet

### 14-20 Hex Head with 5/16 Drive Teks Climaseal 3



Part Number	Description	Length	Grip Length	Effective Length
6-311-0575-5CS	14-20 x 22 Hex Head 5/16 Drive Teks Climaseal 3	20.5 / 22.0	2.5 Max.	7.5 Min.

All dimensions nominal unless otherwise stated. Normal manufacturing tolerances apply. All dimensions in millimeters. Third Angle Projection. Scale: Full Size

Buildex® Head Office  
600 South Road  
Moorabbin Victoria 3189  
Australia

1300 368 101  
CustomerService-MBN@buildex.com.au

Technical Help Desk  
Technicalhelpdesk@buildex.com.au