

## Product Technical Data Sheet

### 10-16 Flat Csk with Ribs Trim Head Wing TekS Climacoat

Part Number	Description	Pack Qty	Pallet Qty
6-321-0057-9CC	10-16 x 40 Trim Flat Csk with Ribs Wing TekS Climacoat	500 / 2000	144,000

**Application:**

Buildex® 10 -16 Flat Csk with Ribs Trim Head Wing TekS® Screws are used for fixing timber floor, fences and composite boards to metal.

**Drilling and Installing Capacity**

Refer Sheet 2

Features	Benefits
Trim Head	Small head for easier embedment of the head into the timber or board.
Underhead Teeth	For countersinking the head into the timber or board.
Teks Point	For drilling into steel while ensuring maximum pullout strength and high strip torque.
Wing TekS	Removes the need for pre-drilling in timber or composite board.
Finish	Corrosion performance of Climacoat to suit the application.

**Installation Instructions:**

1. Use a number 2 Phillips Driver Bit.
2. Use a mains powered or cordless screw driver with a drive speed of 3,000 RPM maximum.
3. Fit the driver bit into the screw and place at the fastening position.
4. Apply consistently firm pressure (end load) to the screw driver until the screw has fastened.

**Mechanical Properties:**

Single Shear Strength (Newton) 6,000 | Axial Tensile (Newton) 12,000 | Torsion Strength 8.5 Newton-metre

**Pullout Values (Newton):**

Steel Stud G450 1.20 mm: 2,320 | Steel Purlin G450 1.50 mm: 4,200 | Steel Purlin G450 1.90 mm: 5,500 | Steel Purlin G450 2.40 mm: 7,820

All values are averages obtained under laboratory conditions and appropriate safety factors should be applied for design purposes. These figures are applicable to Buildex® head marked product only.

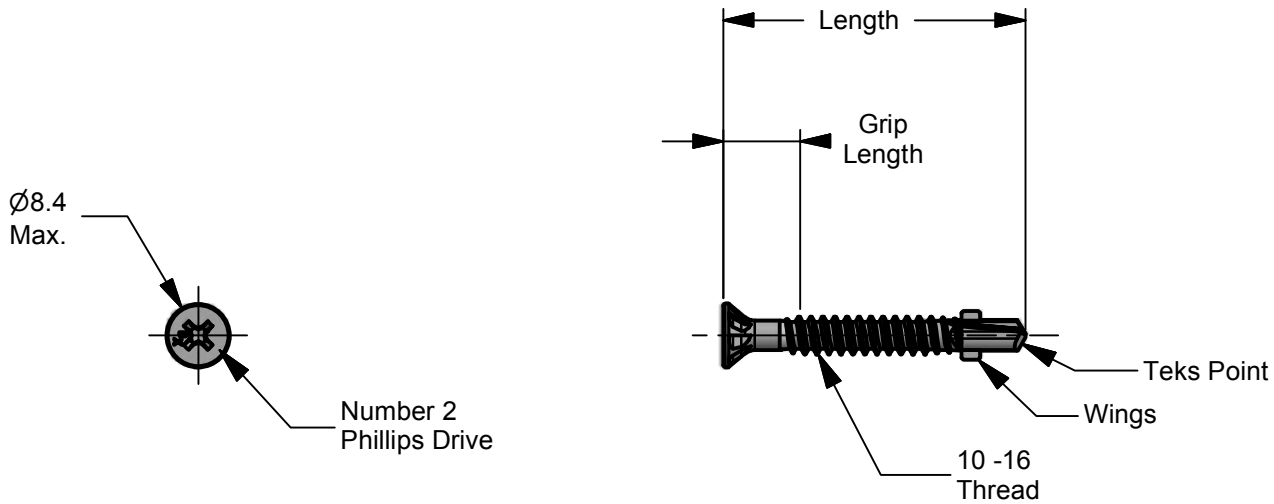
**Material:** Carbon Steel SAE 1022 | **Heat Treatment:** To AS 3566.1 | **Finish:** Climacoat®

**Corrosion Performance:**

Climacoat® Screws comply to 1000 Hours Salt Spray Testing when tested in accordance to AS 2331.3.1

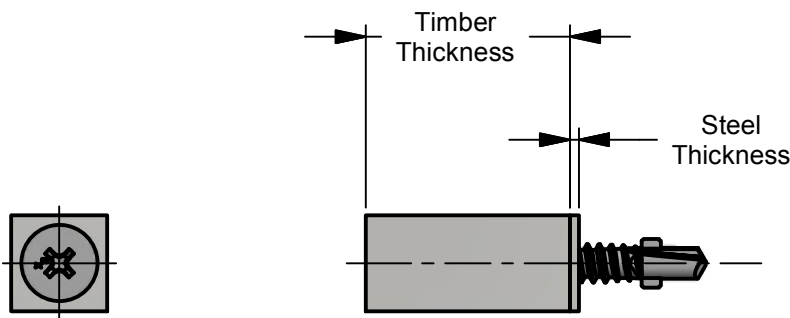
## Product Technical Data Sheet

### 10-16 Flat Csk with Ribs Trim Head Wing TekS Climacoat



Part Number	Description	Length	Grip Length
6-321-0057-9CC	10-16 x 40 Trim Flat Csk with Ribs Wing TekS Climacoat	39.0 / 41.0	10.75 Max.

All dimensions nominal unless otherwise stated. Normal manufacturing tolerances apply. All dimensions in millimeters. Third Angle Projection. Scale Full Size



Part Number	Timber Thickness	Steel Thickness
6-321-0057-9CC	11.0 mm ~ 22.0 mm	1.2 mm / 3.5 mm

Buildex® Head Office  
600 South Road  
Moorabbin Victoria 3189  
Australia

1300 368 101  
CustomerService-MBN@buildex.com.au

Technical Help Desk  
Technicalhelpdesk@buildex.com.au