

Product Technical Data Sheet

12-24 x 38 Hex Head Full Threaded Series 500 Tekes

12-24 Hex Head Series 500 Tekes			
Part Number	Description	Pack Qty	Pallet Qty
6-351-0001-5CS	12-24 x 38 Hex Head Series 500 Tekes Climaseal 3	500 / 1500	108,000
6-350-0009-4CS	12-24 x 38 Hex Head Series 500 Tekes with Seal Climaseal 3	500 / 1500	108,000

Application:

Buildex® 12-24 Hex Head Series 500 Tekes® Screw is used for metal to metal fixing of thick steel purlin and hot rolled steel. Used for metal to metal fixing in the HAVAC, plumbing and steel fabrication industries where thick steel section is in use. A general all purpose metal to thick metal fixing product.

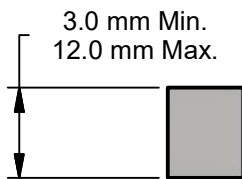
Features	Benefits
Hex Drive	For positive drive under high installation torque.
Series 500 Point	For drilling into steel while ensuring maximum pullout strength and a high strip torque.
Finish	Corrosion performance of Climaseal 3 to suit the application.
Colormatch	The 12-24 Series 500 Tekes can be painted to match Colorbond sheeting products.

Installation Instructions:

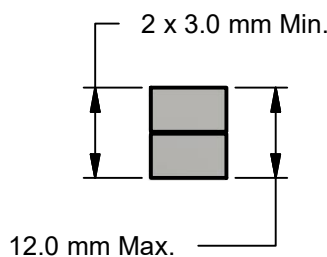
1. Use a 5/16" Hex Socket.
2. Use a mains powered or cordless screw driver with a drive speed of 3,000 RPM maximum.
3. Fit the driver bit into the screw and place at the fastening position.
4. Apply consistently firm pressure (end load) to the screw driver until the screw has fastened.

Drilling and Installing Capacity

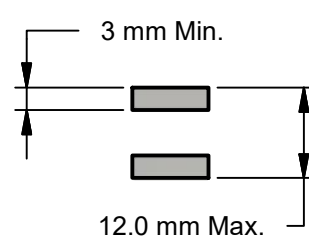
Single Thickness of Metal



Multiple Pieces of Metal



Multiple Pieces of Metal with Air Gap



Mechanical Properties:

Single Shear Strength (Newton) 9,000 | Axial Tensile (Newton) 16,700 | Torsion Strength 13.5 Newton-metre

Pullout Values (Newton):

3.0mm HRS: 8,200 | 5.0mm HRS: tba | 6.0mm HRS: 16,700 | 8.0mm HRS: 16,700 | 12.0mm HRS: 16,700

In the case of the 6.0mm, the 8.0mm and 12.0mm HRS the fastener failed.

All values are averages obtained under laboratory conditions and appropriate safety factors should be applied for design purposes. These figures are applicable to Buildex® head marked product only.

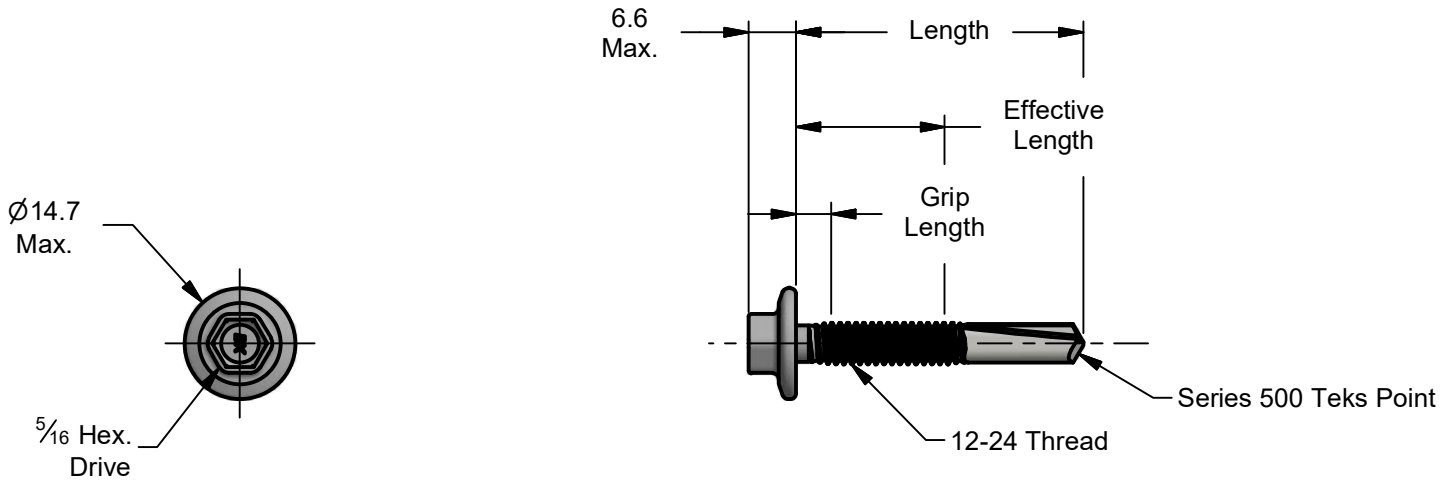
Material: Carbon Steel SAE 1022 | **Heat Treatment:** To AS 3566.1 | **Finish:** Climaseal 3®

Corrosion Performance:

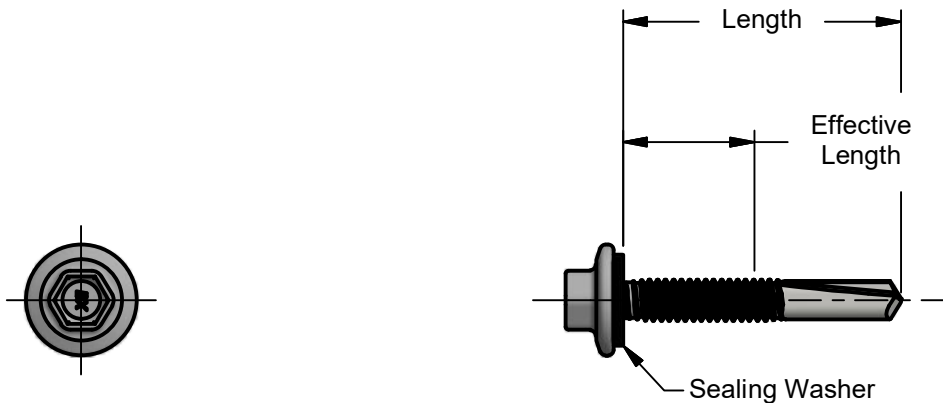
Climaseal 3 Fasteners are suitable for use in Category 3 corrosive environments as described in ISO 9223-2012 and AS4312-2008

Product Technical Data Sheet

12-24 x 38 Hex Head Full Threaded Series 500 Tek



Part Number	Description	Length	Grip Length	Effective Length
6-351-0001-5CS	12-24 x 38 Hex Head Series 500 Tek Climaseal 3	36.8 / 38.00	4.3 Max.	20.0 Min.



Note
Lengths from underside of sealing washer and includes compression.

Part Number	Description	Length	Grip Length	Effective Length
6-350-0009-4CS	12-24 x 38 Hex Head Series 500 Tek with Seal Climaseal 3	36.0 / 37.5	----	19.5 Min.

All dimensions nominal unless otherwise stated. Normal manufacturing tolerances apply. All dimensions in millimeters. Third Angle Projection.

Buildex® Head Office
600 South Road
Moorabbin Victoria 3189
Australia

1300 368 101
CustomerService-MBN@buildex.com.au

Technical Help Desk
Technicalhelpdesk@buildex.com.au