

Product Technical Data Sheet

12-24 Wafer Full Threaded Series 500 Teks Climaseal 3

12-24 Wafer Head Series 500 Teks			
Part Number	Description	Pack Qty	Pallet Qty
6-351-0005-8CS	12-24 x 38 Wafer Teks 5 Climaseal 3	500 / 2000	144,000

Application:

Buildex® 12-24 Wafer Series 500 Teks® Screw is used for metal to metal fixing of thick steel purlin and hot rolled steel. Used for metal to metal fixing in the HAVAC, plumbing and steel fabrication industries where thick steel section is in use. A general all purpose metal to thick metal fixing product.

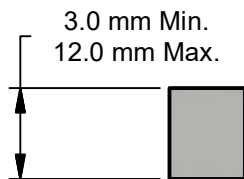
Features	Benefits
Wafer Head	Low profile head for secret fix cladding
Series 500 Point	For drilling into steel while ensuring maximum pullout strength and a high strip torque.
Finish	Corrosion preformance of Climaseal 3 to suit the application.
Colormatch	The 12-24 Series 500 Teks can be painted to match Colorbond sheeting products.

Installation Instructions:

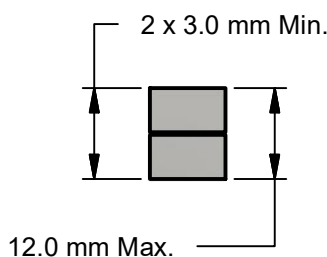
1. Use a Number 3 Phillips Driver Bit.
2. Use a mains powered or cordless screw driver with a drive speed of 3,000 RPM maximum.
3. Fit the driver bit onto the screw and place at the fastening position.
4. Apply consistently firm pressure (end load) to the screw driver until the screw has fastened.

Drilling and Installing Capacity

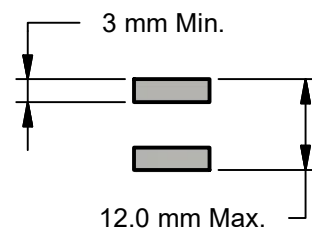
Single Thickness of Metal



Multiple Pieces of Metal



Multiple Pieces of Metal with Air Gap



Mechanical Properties:

Single Shear Strength (Newton) 9,000 | Axial Tensile (Newton) 16,700 | Torsion Strength 13.5 Newton-metre

Pullout Values (Newton):

3.0mm HRS: 8,200 | 5.0mm HRS: tba | 6.0mm HRS: 16,700 | 8.0mm HRS: 16,700 | 12.0mm HRS: 16,700

In the case of the 6.0mm, the 8.0mm and 12.0mm HRS the fastener failed.

All values are averages obtained under laboratory conditions and appropriate safety factors should be applied for design purposes. These figures are applicable to Buildex® head marked product only.

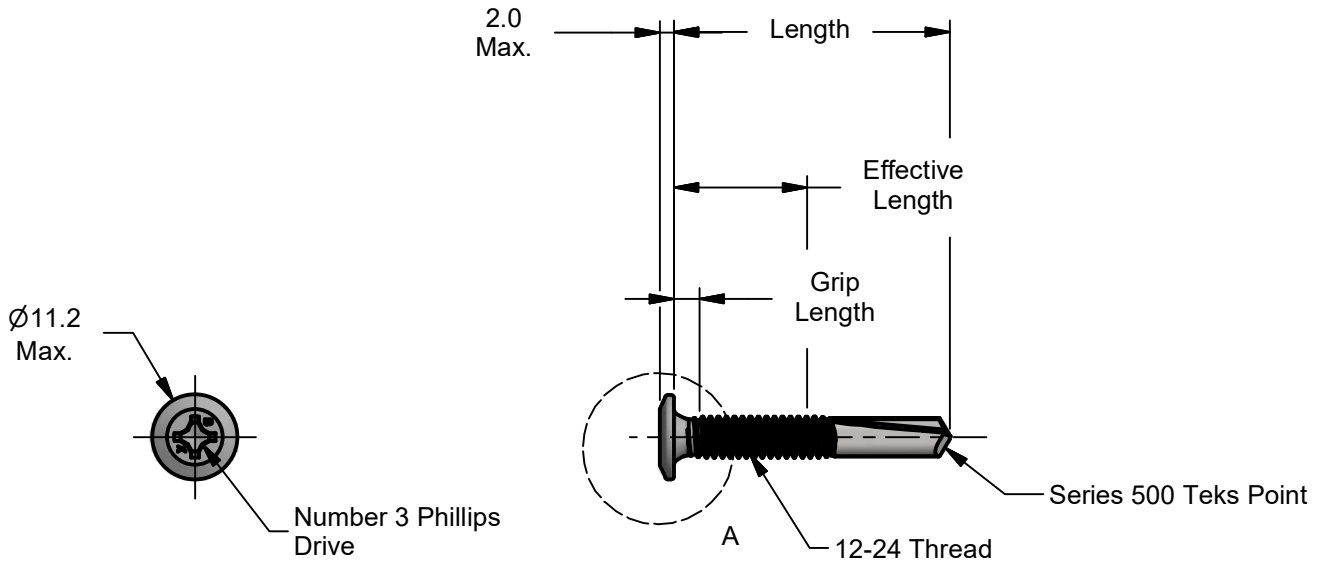
Material: Carbon Steel SAE 1022 | **Heat Treatment:** To AS 3566.1 | **Finish:** Climaseal 3®

Corrosion Performance:

Climaseal 3 Fasteners are suitable for use in Category 3 corrosive environments as described in ISO 9223-2012 and AS4312-2008

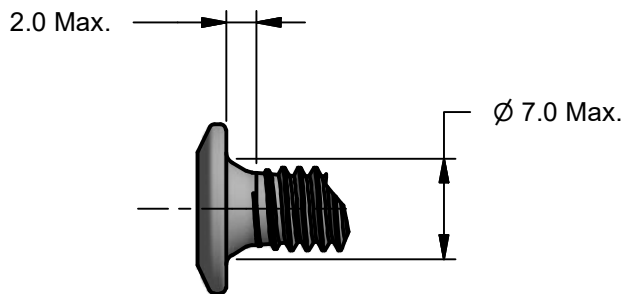
Product Technical Data Sheet

12-24 Wafer Full Threaded Series 500 Teks Climaseal 3



Part Number	Description	Length	Grip Length	Effective Length
6-351-0005-8CS	12-24 x 38 Wafer Teks 5 Climaseal 3	36.8 / 38.00	4.3 Max.	20.2 Min.

All dimensions nominal unless otherwise stated. Normal manufacturing tolerances apply. All dimensions in millimeters. Third Angle Projection. Scale Full size



Under Head Detail | (2 : 1)

Buildex® Head Office
600 South Road
Moorabbin Victoria 3189
Australia

1300 368 101
CustomerService-MBN@buildex.com.au

Technical Help Desk
Technicalhelpdesk@buildex.com.au