

Product Technical Data Sheet

12 -14 Hex Head Full Thread Stainless Steel Grade 304 TekS

Part Number	Description	Pack Qty	Pallet Qty
6-392-0003-3	12-14 x 25 Hex Head Stainless Steel TekS	500 / 2000	144,000
6-397-0103-3	12-14 x 25 Hex Head Stainless Steel TekS 16mm ABW	500 / 1500	108,000

Application:

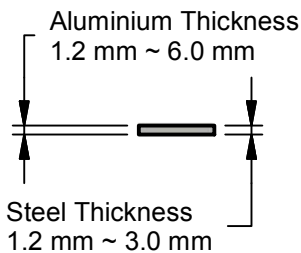
Buildex® 12 -14 Hex Head Stainless Steel Grade 304 TekS® Screws are used for valley or pan fixing aluminium roof sheets or side cladding to steel or aluminium when protection from a corrosive environments and or a complete system compatibility is crucial.

Product Compatibility with Cladding:

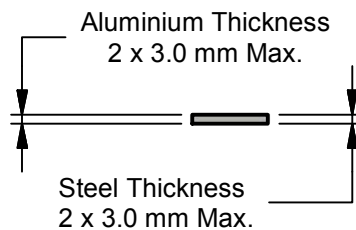
Refer to BlueScope Technical Bulletin TB-16

Drilling and Installing Capacity:

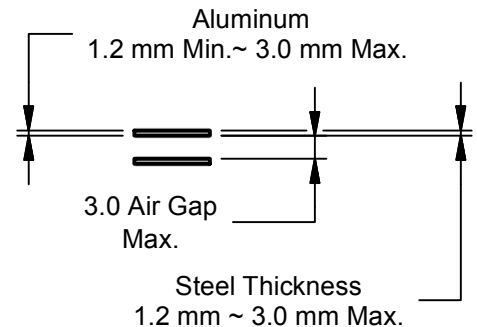
Single Thickness of Metal



Multiple Pieces of Metal



Multiple Pieces of Metal with Air Gap



Installation Instructions:

1. Use a 5/16" Hex Socket.
2. Use a mains powered or cordless screw driver with a drive speed of 3,000 RPM maximum.
3. Fit the driver bit into the screw and place at the fastening position.
4. Apply consistently firm pressure (end load) to the screw driver until the screw has fastened.

Mechanical Properties:

Single Shear Strength (Newton) 7,000 | Axial Tensile (Newton) 11,500 | Torsion Strength 10.2 Newton-metre

Pullout Values (Newton):

Steel Stud G450 1.2 mm 1,750 | Steel Purlin G450 1.5 mm 3,200 | Steel Purlin G450 1.9 mm : 3,950 | Steel Purlin G450 2.4 mm : 5,800 | Aluminium 3.0mm 3,550 | Aluminium 6.0 mm 7,700

All values are averages obtained under laboratory conditions and appropriate safety factors should be applied for design purposes. These figures are applicable to Buildex® head marked product only.

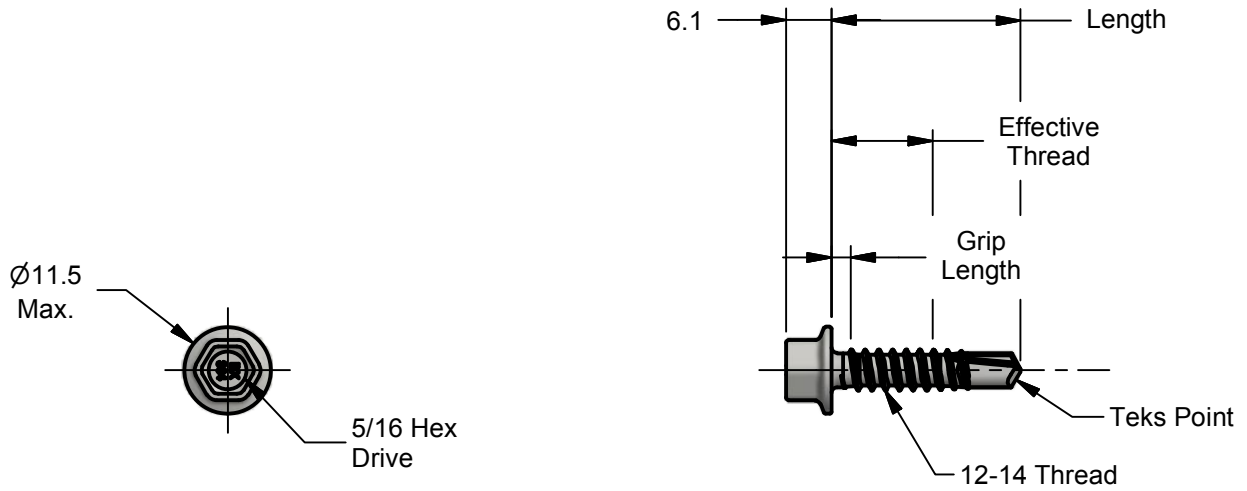
Material: Fastener: Head and Shank: Stainless Steel Grade 304 | Drill Point: Stainless Steel 410 |

Heat Treatment: Hardened Point | **Finish:** Rustpert® Top Coat over Grade 304 Stainless Steel

Corrosion Performance: Stainless Steel Grade 304 (A2)

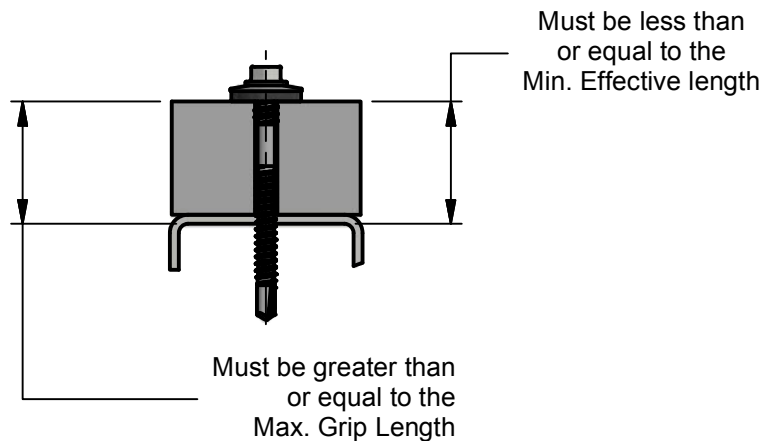
Product Technical Data Sheet

12 -14 Hex Head Full Thread Stainless Steel Grade 304 Tek



Part Number	Description	Length	Grip Length	Effective Length
6-392-0003-3	12-14 x 25 Hex Head Stainless Steel Tek	24.8 / 26.2	1.5 Max.	11.8 Min.

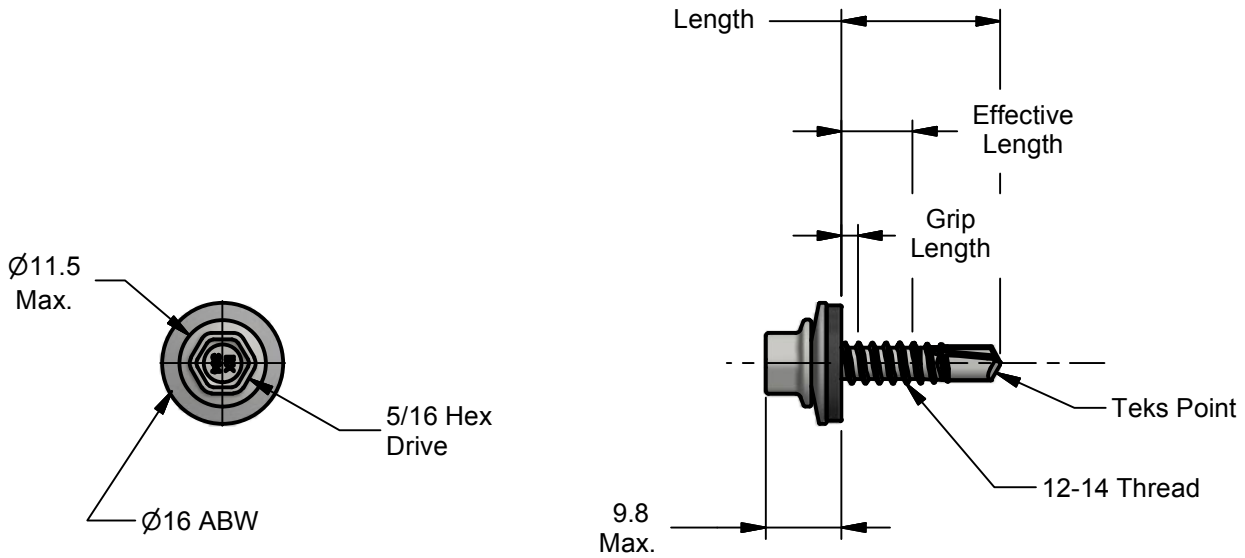
All dimensions nominal unless otherwise stated. Normal manufacturing tolerances apply. All dimensions in millimeters. Third Angle Projection. Scale Full Size



Product Length Suitability (1 : 2)

Product Technical Data Sheet

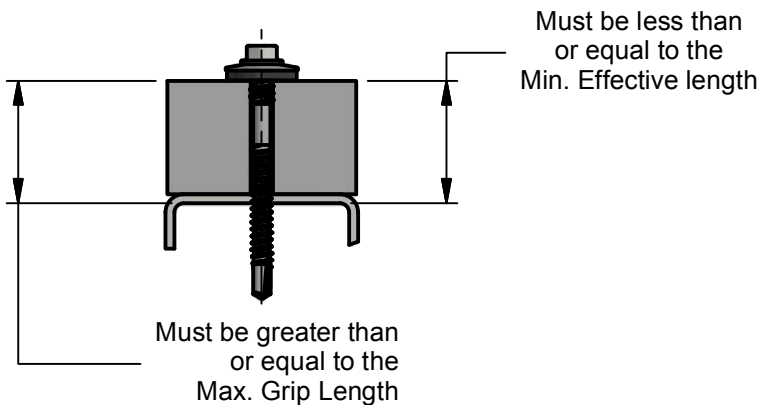
12 -14 Hex Head Full Thread Stainless Steel Grade 304 Tek



Note
Lengths from underside of sealing washer and includes compression.

Part Number	Description	Length	Grip Length	Effective Length
6-397-0103-3	12-14 x 25 Hex Head Stainless Steel Tek 16mm ABW	20.8 / 22.2	0.0	7.8 Min.

All dimensions nominal unless otherwise stated. Normal manufacturing tolerances apply. All dimensions in millimeters. Third Angle Projection. Scale Full Size



Product Length Suitability (1 : 2)

Buildex® Head Office
600 South Road
Moorabbin Victoria 3189
Australia

1300 368 101
CustomerService-MBN@buildex.com.au

Technical Help Desk
Technicalhelpdesk@buildex.com.au