

Product Technical Data Sheet

10-16 Wafer Head Stainless Steel Grade 304 TekS

Part Number	Description	Pack Qty	Pallet Qty
6-392-0002-2	10-16 x 25 Wafer Stainless Steel Grade 304 TekS	500 / 2000	144,000

Application:

Buildex® 10-16 Wafer Stainless Steel Grade 304 TekS Screw is used for jobs that require a low profile head including metal deck clips, electrical fittings, signs and sheet metal. The screw can be used for fixing side cladding to steel, or aluminium when protection from a corrosive environments and or a complete system compatibility is crucial.

Product Compatibility with Cladding:

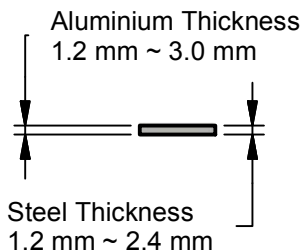
Refer to BlueScope Technical Bulletin TB-16

Installation Instructions:

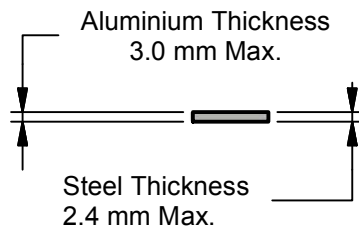
1. Use a Number 2 Phillips Cross Recess driver bit..
2. Use a mains powered or cordless screw driver with a drive speed of 3,000 RPM maximum.
3. Fit the driver bit into the screw and place at the fastening position.
4. Apply consistently firm pressure (end load) to the screw driver until the screw has fastened.

Drilling and Installing Capacity:

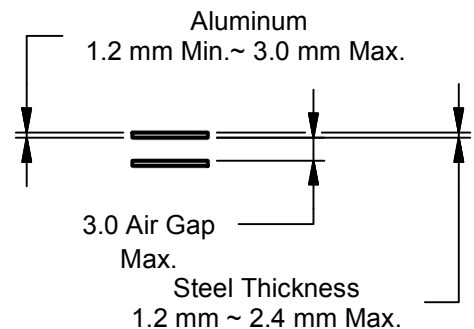
Single Thickness of Metal



Multiple Pieces of Metal



Multiple Pieces of Metal with Air Gap



Mechanical Properties:

Single Shear Strength (Newton) 5,200 | Axial Tensile (Newton) 8,200 | Torsion Strength 6.3 Newton metre

Pullout Values (N):

Steel Purlin G450 1.2 mm: 1,450 | Steel Purlin G450 1.5 mm: 2,600 | Steel Purlin G450 1.9mm: 3,400 |
Steel Purlin G450 2.4mm: 5,000 | Aluminium 1.2 mm : tba | Aluminium 3.0 mm : 3,300

All values are averages obtained under laboratory conditions and appropriate safety factors should be applied for design purposes. These figures are applicable to Buildex® head marked product only.

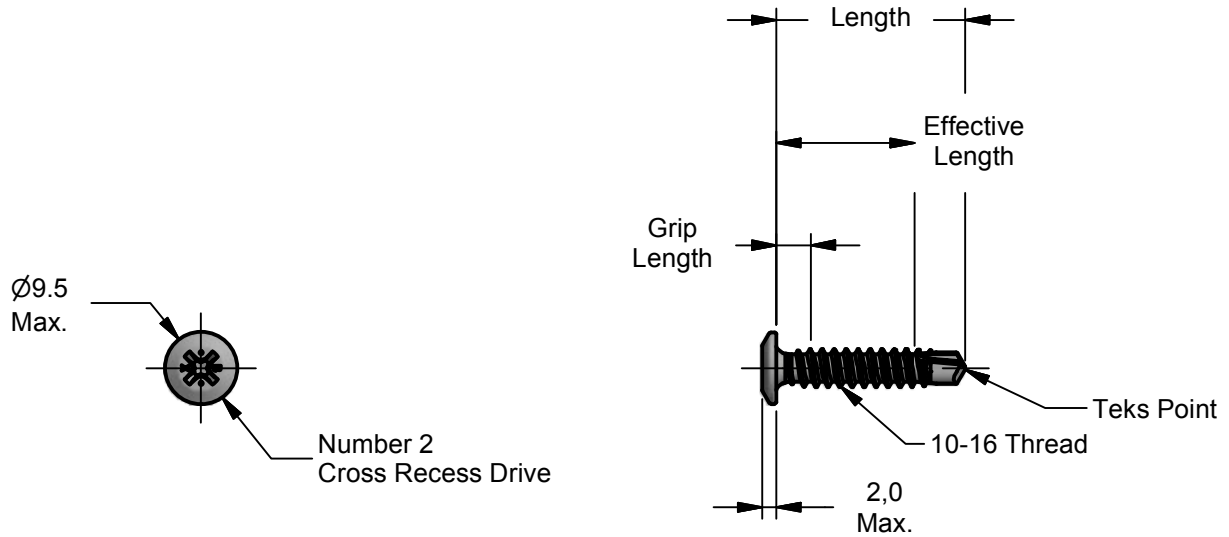
Material: Fastener: Head and Shank: Stainless Steel Grade 304 | Drill Point: Stainless Steel 410 |

Heat Treatment: Hardened Point | **Finish:** Rustpert® Top Coat over Grade 304 Stainless Steel

Corrosion Performance: Stainless Steel Grade 304 (A2)

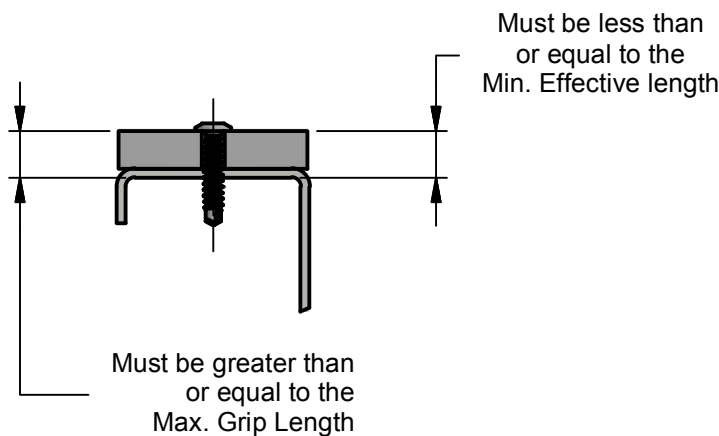
Product Technical Data Sheet

10-16 Wafer Head Stainless Steel Grade 304 Tekes



Part Number	Description	Length	Grip Length	Effective Length
6-392-0002-2	10-16 x 25 Wafer Stainless Steel Grade 304 Tekes	23.8 / 26.2	3.6 Max.	12.0 Min.

All dimensions nominal unless otherwise stated. Normal manufacturing tolerances apply. All dimensions in millimeters. Third Angle Projection. Scale Full Size



Product Length Suitability (1 : 2)

Buildex® Head Office
600 South Road
Moorabbin Victoria 3189
Australia

1300 368 101
CustomerService-MBN@buildex.com.au

Technical Help Desk
Technicalhelpdesk@buildex.com.au